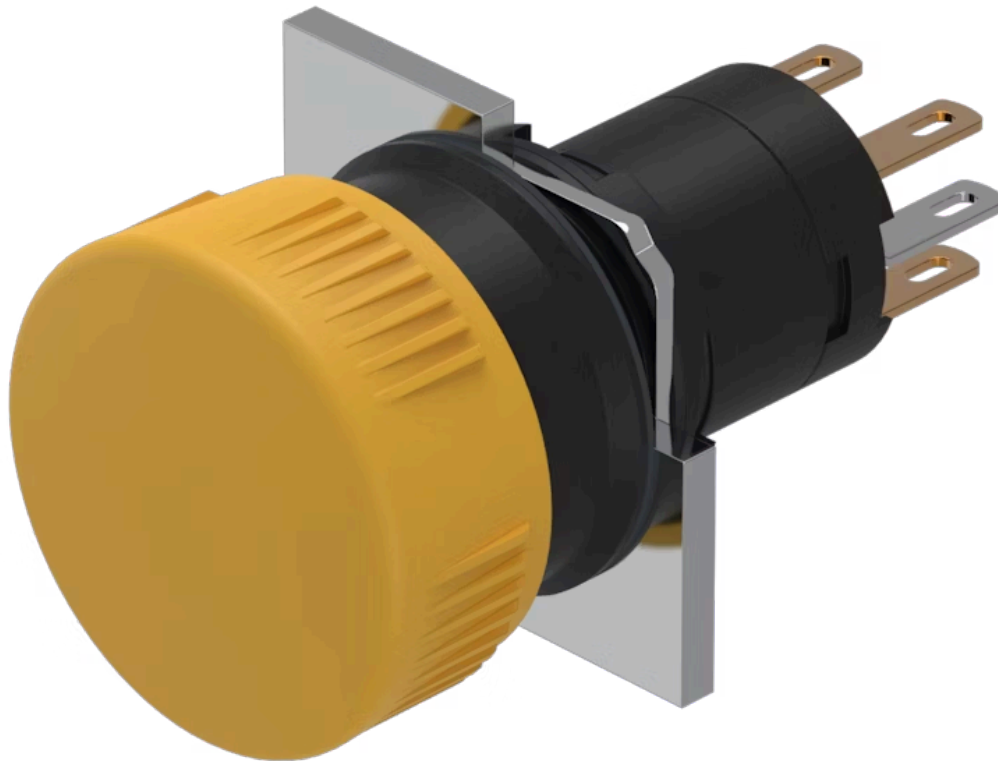


# Actuator

51-  
153.0224

Distribution by  
DigiKey

**DigiKey**



<https://digikey.eao.com/p/51-153.0224>

Your product:

---



## 51-153.0224 Actuator

### FRONT

<b>Front dimension:</b>	Ø 24,5 mm
<b>Front bezel colour:</b>	Black
<b>Front bezel material:</b>	Plastic

### MOUNTING

<b>Design:</b>	raised
----------------	--------

### OPERATING-/INDICATION PART

<b>Lens shape:</b>	mushroom-head
<b>Lens colour:</b>	Yellow
<b>Lens illumination:</b>	non illuminative
<b>Lens optics:</b>	opaque
<b>Lens material:</b>	Plastic

### ELECTRICAL CHARACTERISTICS

<b>Rated Operational Voltage U<sub>e</sub>:</b>	250 VAC/DC according to EN IEC 60947-1
<b>Contacts:</b>	1 NC / 1 NO
<b>Protection class:</b>	II
<b>Electrical lifetime:</b>	50 000 cycles of operation
<b>Thermal current I<sub>th</sub>:</b>	5 A, according to EN / IEC 60947-5-1 The maximum current in continuous operation and at ambient temperature not exceeding the quoted maximum values.
<b>Standards:</b>	According to EN/IEC 61058-1
<b>Electric strength:</b>	

2500 VAC, 50 Hz, 1 min. between all terminals and earth, according to IEC 61058-1, part 15

## MECHANICAL CHARACTERISTIC

<b>Operating force:</b>	4 N ... 6 N
<b>Switching system:</b>	Self-cleaning, double-break snap action switching system, 1 normally closed and 1 normally open contact per element.
<b>Tightening torque:</b>	Fixing nut max. 0.5 Nm
<b>Weight:</b>	0.008 kg
<b>Mechanical lifetime:</b>	2 Mio. cycles of operation
<b>Wire cross section:</b>	Snap-action switching element with axial soldering terminals, which can also be used as plug-in terminals 2.8 x 0.5mm Max. wire diameter 2 wires of 1 mm Max. wire cross-section of stranded cable 2 of 0.75 mm <sup>2</sup> or 1 x 1.0 mm <sup>2</sup>
<b>Operating Travel:</b>	3 mm
<b>Switching action:</b>	Momentary
<b>Terminal:</b>	Plug-in terminal, 2.8 x 0.5 mm
<b>Contact material:</b>	Gold
<b>Switching system:</b>	Snap-action switching element

## AMBIENT CONDITION

<b>Climate resistance:</b>	Standard condition, as per DIN EN 60068-2-30 Changing condition, as per DIN EN 60068-2-14
<b>Vibration resistance:</b>	10 g at 10 Hz...1500 Hz, amplitude 0.75 mm (Sinusoidal), according to DIN EN 60512-4-4, DIN EN 60068-2-6
<b>Storage temperature:</b>	- 40 °C ... + 85 °C
<b>Shock resistance:</b>	15 g for 11 ms, as per DIN / EN 60512-4-3, DIN / EN 60068-2-27 (Single impacts, semi-sinusoidal)
<b>IP front protection:</b>	IP65, according to DIN EN 60529
<b>Operating temperature:</b>	- 25 °C ... + 55 °C, mounted as a block, make sure the heat can escape freely

## CERTIFICATE

<b>Conformities:</b>	CE, UKCA, 2011 / 65 / EC (RoHS), 2014 / 30 / EU (EMC), 2014 / 35 / EU (LVD)
<b>Approbations:</b>	CB (IEC 61058-1), CQC, CSA, DNV, ENEC (EN 61058-1), UL

## OTHER

**Hints:**

If the anti-twist ring is not used the panel thickness increases to 4 mm

**max. number of switching elements:**

1

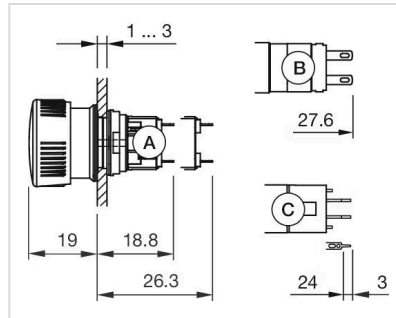
**Housing colour:**

Black

**Short Description:**

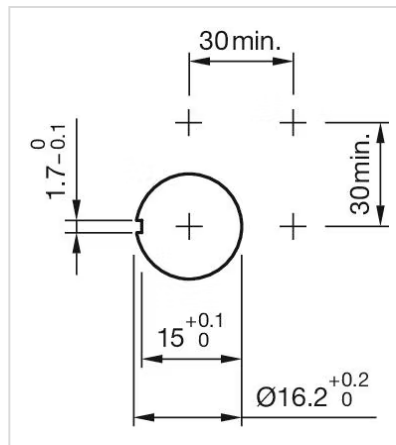
Actuator, Ø 24,5 mm, mushroom-head, non illuminative, Yellow, Plastic, opaque, Black, Plastic, 1 NC / 1 NO, Momentary, Plug-in terminal, 2.8 x 0.5 mm, IP65, according to DIN EN 60529

**Dimension drawings:**



A = Solder terminal  
B = Plug-in terminal 2.8 mm x 0.5 mm  
C = Universal terminal 2.0 mm x 0.5 mm

**Mounting cut-outs:**



**Wiring diagrams:**

