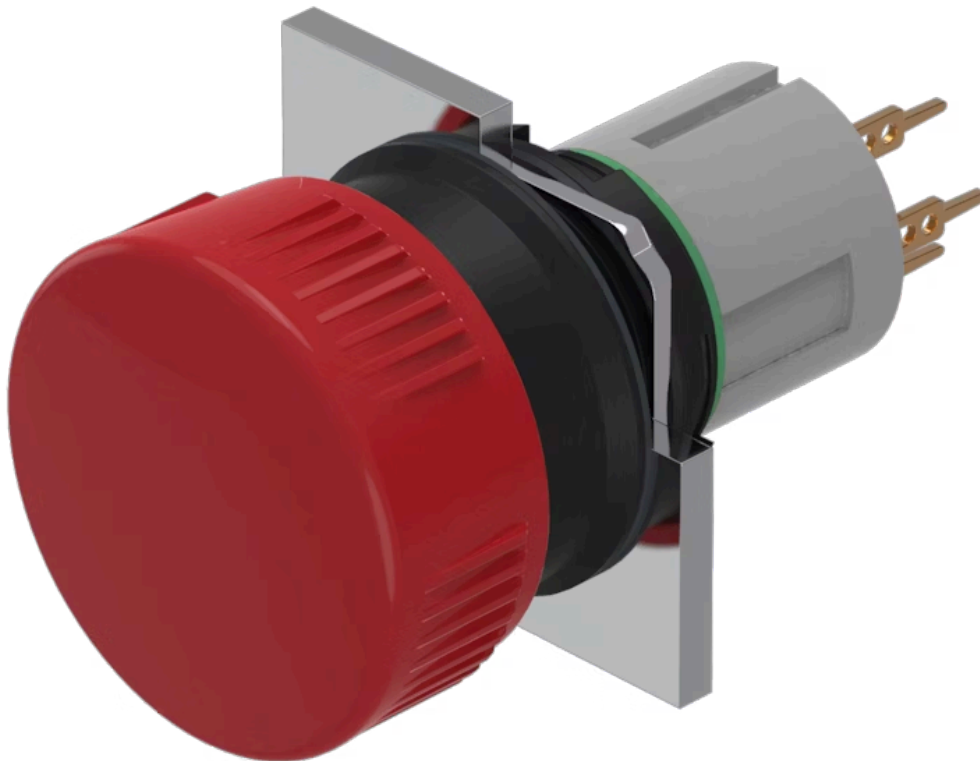


# Actuator

51-  
152.0262

Distribution by  
DigiKey

**DigiKey**



<https://digikey.eao.com/p/51-152.0262>

Your product:

---



## 51-152.0262 Actuator

### FRONT

<b>Front dimension:</b>	Ø 24,5 mm
<b>Front bezel colour:</b>	Black
<b>Front bezel material:</b>	Plastic

### MOUNTING

<b>Design:</b>	raised
----------------	--------

### OPERATING-/INDICATION PART

<b>Lens illumination:</b>	non illuminative
<b>Lens material:</b>	Plastic
<b>Lens colour:</b>	Red
<b>Lens optics:</b>	opaque
<b>Lens shape:</b>	mushroom-head

### ELECTRICAL CHARACTERISTICS

<b>Electric strength:</b>	2500 VAC, 50 Hz, 1 min. between all terminals and earth, according to IEC 61058-1, part 15
<b>Contacts:</b>	2 NC
<b>Switching voltage and switching current:</b>	100 mA at 42 VAC/VDC

### MECHANICAL CHARACTERISTIC

<b>Tightening torque:</b>	Fixing nut max. 0.5 Nm
<b>Operating force:</b>	

1,8 ... 3,5 N

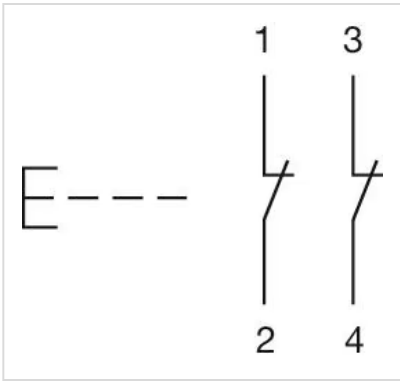
<b>Contact material:</b>	Gold
<b>Switching system:</b>	<p>This low-level switching element was designed for switching low powers in electronic circuits. The mechanism assures reliable switching of loads ranging from a few <math>\mu\text{A}/\mu\text{V}</math> up to 100 mA/ 42 VAC/DC.</p> <p>Single-break momentary contact, as normally open or normally closed with 4 independent points of contact. 2 momentary contacts per switching element; combination of normally open and normally closed is possible.</p> <p>Special features are the long life, extremely short rebound time and stable contact resistance.</p>
<b>Terminal:</b>	Universal terminal, 2 x 0.5 mm
<b>Operating Travel:</b>	3 mm
<b>Mechanical lifetime:</b>	5 Mio. cycles of operation
<b>Weight:</b>	0.008 kg
<b>Switching system:</b>	Low-level element
<b>Switching action:</b>	Momentary

#### **AMBIENT CONDITION**

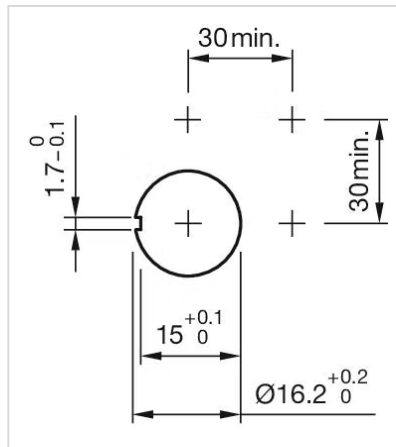
<b>Storage temperature:</b>	- 40 °C ... + 85 °C
<b>IP front protection:</b>	IP65, according to DIN EN 60529
<b>Operating temperature:</b>	- 25 °C ... + 55 °C
<b>Shock resistance:</b>	15 g for 11 ms, as per DIN / EN 60512-4-3, DIN / EN 60068-2-27 (Single impacts, semi-sinusoidal)

#### **OTHER**

<b>Hints:</b>	If the anti-twist ring is not used the panel thickness increases to 4 mm
<b>Short Description:</b>	Actuator, $\varnothing$ 24,5 mm, mushroom-head, non illuminative, Red, Plastic, opaque, Black, Plastic, 2 NC, Momentary, Universal terminal, 2 x 0.5 mm, IP65, according to DIN EN 60529
<b>Housing colour:</b>	Black
<b>Wiring diagrams:</b>	



**Mounting cut-outs:**



**Dimension drawings:**

