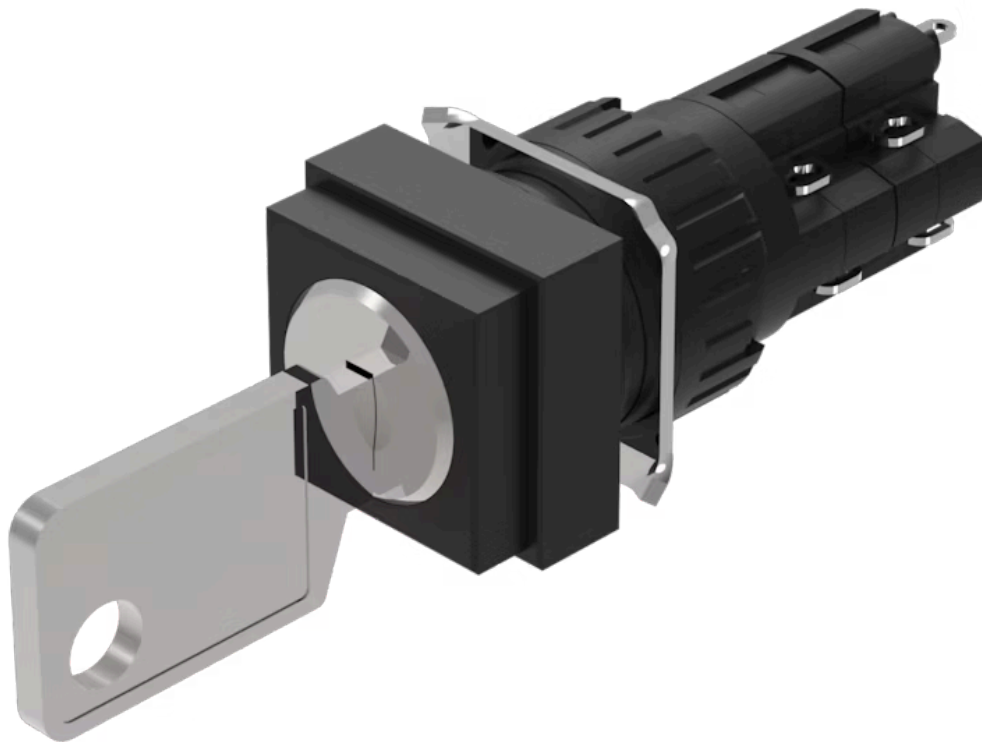


Actuator

51-
146.025D2

Distribution by
DigiKey

DigiKey



<https://digikey.eao.com/p/51-146.025D2>

Your product:



51-146.025D2 Actuator

FRONT

Front dimension: 18 mm x 18 mm

MOUNTING

Design: raised

ELECTRICAL CHARACTERISTICS

Rated Operational Voltage U_e: 250 VAC/DC according to EN IEC 60947-1

Electric strength: 2500 VAC, 50 Hz, 1 min. between all terminals and earth, according to IEC 61058-1, part 15

Switching voltage and switching current:

- 250 VAC, 5 A (ohmic)
- 250 VAC, 2 A (inductive, $\cos(\phi) = 0.7$)
- 125 VAC, 3 A (inductive, $\cos(\phi) = 0.7$)
- 220 VDC, 0.1 A (inductive, L:R = 30 ms)
- 110 VDC, 0.2 A (inductive, L:R = 30 ms)
- 60 VDC, 0.7 A (inductive, L:R = 30 ms)
- 24 VDC, 2 A (inductive, L:R = 30 ms)

Standards: According to EN/IEC 61058-1

Contacts: 2 NC / 2 NO

Thermal current I_{th}: 5 A, according to EN / IEC 60947-5-1
The maximum current in continuous operation and at ambient temperature not exceeding the quoted maximum values.

Protection class: II

Electrical lifetime: 50 000 cycles of operation

MECHANICAL CHARACTERISTIC

Switching system: Self-cleaning, double-break snap action switching system, 1 normally closed and 1 normally open contact per element.

Switching action: Rest (a) - Momentary

| | |
|-----------------------------|--|
| Switching angle: | 42° right |
| Switching system: | Snap-action switching element |
| Weight: | 0.026 kg |
| Mechanical lifetime: | 50 000 cycles of operation |
| Wire cross section: | Snap-action switching element with tinned soldering terminals at the sides Max. wire diameter 2 wires à 1.2 mm Max. wire cross-section of stranded cable 1 x 1 mm ² |
| Contact material: | Gold |
| Tightening torque: | Fixing nut max. 0.5 Nm |
| Switching positions: | 2 positions |
| Terminal: | Soldering terminal |

AMBIENT CONDITION

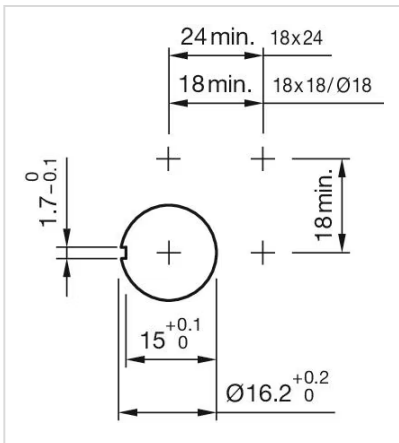
| | |
|-------------------------------|--|
| IP front protection: | IP65, according to DIN EN 60529 |
| Climate resistance: | Standard condition, as per DIN EN 60068-2-30 Changing condition, as per DIN EN 60068-2-14 |
| Vibration resistance: | 10 g at 10 Hz...1500 Hz, amplitude 0.75 mm (Sinusoidal), according to DIN EN 60512-4-4, DIN EN 60068-2-6 |
| Storage temperature: | - 40 °C ... + 85 °C |
| Shock resistance: | 15 g for 11 ms, as per DIN / EN 60512-4-3, DIN / EN 60068-2-27 (Single impacts, semi-sinusoidal) |
| Operating temperature: | - 25 °C ... + 55 °C |

CERTIFICATE

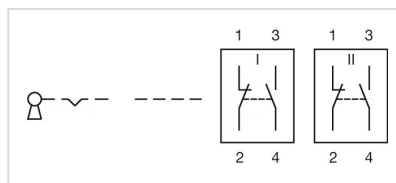
| | |
|----------------------|---|
| Approbations: | CB (IEC 61058-1), CQC, CSA, DNV, ENEC (EN 61058-1), UL |
| Conformities: | CE, UKCA, 2011 / 65 / EC (RoHS), 2014 / 30 / EU (EMC), 2014 / 35 / EU (LVD) |

OTHER

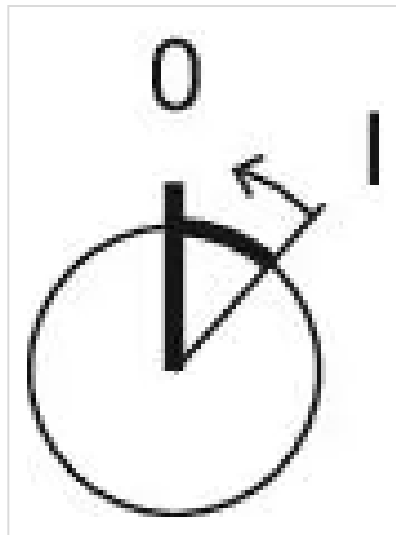
| | |
|---|---|
| Short Description: | Actuator, 18 mm x 18 mm, 2 NC / 2 NO, Rest (a) - Momentary, Soldering terminal, IP65, according to DIN EN 60529 |
| Hints: | Standard lock: DOM 311 |
| max. number of switching elements: | 4 |
| Housing colour: | Black |
| Mounting cut-outs: | |



Wiring diagrams:



Switching positions:



Dimension drawings:

