

Actuator

51-
144.025D2

Distribution by
DigiKey

DigiKey



<https://digikey.eao.com/p/51-144.025D2>

Your product:



51-144.025D2 Actuator

FRONT

Front dimension: Ø 18 mm

MOUNTING

Design: raised

ELECTRICAL CHARACTERISTICS

Electric strength: 2500 VAC, 50 Hz, 1 min. between all terminals and earth, according to IEC 61058-1, part 15

Switching voltage and switching current:

- 250 VAC, 5 A (ohmic)
- 250 VAC, 2 A (inductive, $\cos(\phi) = 0.7$)
- 125 VAC, 3 A (inductive, $\cos(\phi) = 0.7$)
- 220 VDC, 0.1 A (inductive, L:R = 30 ms)
- 110 VDC, 0.2 A (inductive, L:R = 30 ms)
- 60 VDC, 0.7 A (inductive, L:R = 30 ms)
- 24 VDC, 2 A (inductive, L:R = 30 ms)

Thermal current I_{th}: 5 A, according to EN / IEC 60947-5-1
The maximum current in continuous operation and at ambient temperature not exceeding the quoted maximum values.

Protection class: II

Rated Operational Voltage U_e: 250 VAC/DC according to EN IEC 60947-1

Contacts: 4 NC / 4 NO

Standards: According to EN/IEC 61058-1

Electrical lifetime: 50 000 cycles of operation

MECHANICAL CHARACTERISTIC

Switching system: Snap-action switching element

Terminal: Soldering terminal

Switching action:	Rest (a) - Momentary
Tightening torque:	Fixing nut max. 0.5 Nm
Switching angle:	42° right
Contact material:	Gold
Wire cross section:	Snap-action switching element with tinned soldering terminals at the sides Max. wire diameter 2 wires à 1.2 mm Max. wire cross-section of stranded cable 1 x 1 mm ²
Switching system:	Self-cleaning, double-break snap action switching system, 1 normally closed and 1 normally open contact per element.
Switching positions:	2 positions
Weight:	0.026 kg
Mechanical lifetime:	50 000 cycles of operation

AMBIENT CONDITION

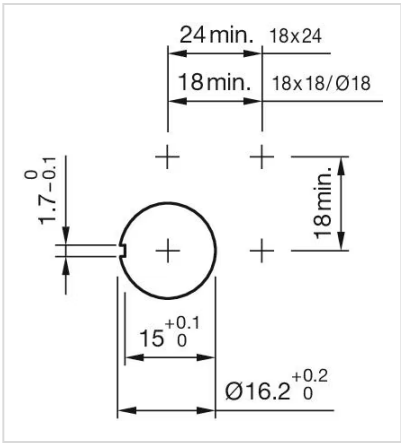
Shock resistance:	15 g for 11 ms, as per DIN / EN 60512-4-3, DIN / EN 60068-2-27 (Single impacts, semi-sinusoidal)
Climate resistance:	Standard condition, as per DIN EN 60068-2-30 Changing condition, as per DIN EN 60068-2-14
Vibration resistance:	10 g at 10 Hz...1500 Hz, amplitude 0.75 mm (Sinusoidal), according to DIN EN 60512-4-4, DIN EN 60068-2-6
IP front protection:	IP65, according to DIN EN 60529
Operating temperature:	- 25 °C ... + 55 °C
Storage temperature:	- 40 °C ... + 85 °C

CERTIFICATE

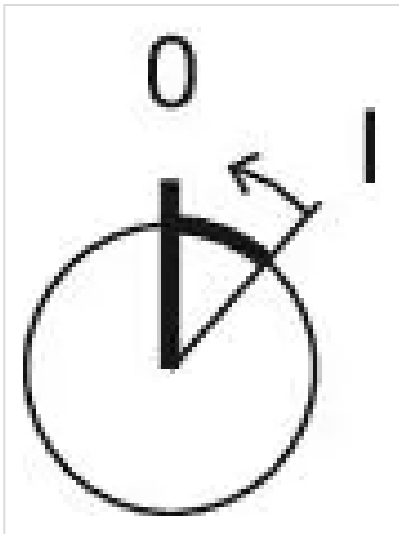
Conformities:	CE, UKCA, 2011 / 65 / EC (RoHS), 2014 / 30 / EU (EMC), 2014 / 35 / EU (LVD)
Approbations:	CB (IEC 61058-1), CQC, CSA, DNV, ENEC (EN 61058-1), UL

OTHER

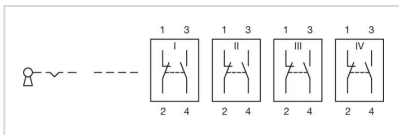
Housing colour:	Black
Hints:	Standard lock: DOM 311
max. number of switching elements:	4
Short Description:	Actuator, Ø 18 mm, 4 NC / 4 NO, Rest (a) - Momentary, Soldering terminal, IP65, according to DIN EN 60529
Mounting cut-outs:	



Switching positions:



Wiring diagrams:



Dimension drawings:

