

Actuator

51-
050.002F

Distribution by
DigiKey

DigiKey



<https://digikey.eao.com/component/51-050.002F...>

Your product:



51-050.002F Actuator

Loading ...

MOUNTING

| | |
|-----------------------|----------------|
| Design: | Flush |
| Mounting type: | Panel mounting |

ELECTRICAL CHARACTERISTICS

| | |
|---|--|
| Switching voltage and switching current: | 100 mA at 42 VAC/VDC |
| Electric strength: | 2500 VAC, 50 Hz, 1 min. between all terminals and earth, according to IEC 61058-1, part 15 |

MECHANICAL CHARACTERISTICS

| | |
|---------------------------|--------------------------------|
| Terminal: | Plug-in terminal, 2.8 x 0.5 mm |
| Tightening torque: | Fixing nut max. 0.5 Nm |
| Weight: | 0.004 kg |

AMBIENT CONDITION

| | |
|-------------------------------|--|
| IP front protection: | IP65, according to DIN EN 60529 |
| Operating temperature: | - 25 °C ... + 55 °C, mounted as a block, make sure the heat can escape freely |
| Storage temperature: | - 40 °C ... + 85 °C |
| Shock resistance: | 15 g for 11 ms, as per DIN / EN 60512-4-3, DIN / EN 60068-2-27 (Single impacts, semi-sinusoidal) |

CERTIFICATE

REACH: REACH compliant

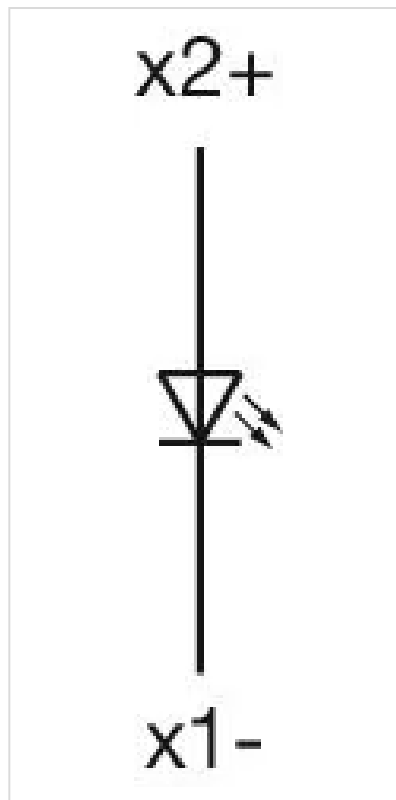
RoHS: RoHS compliant

OTHER

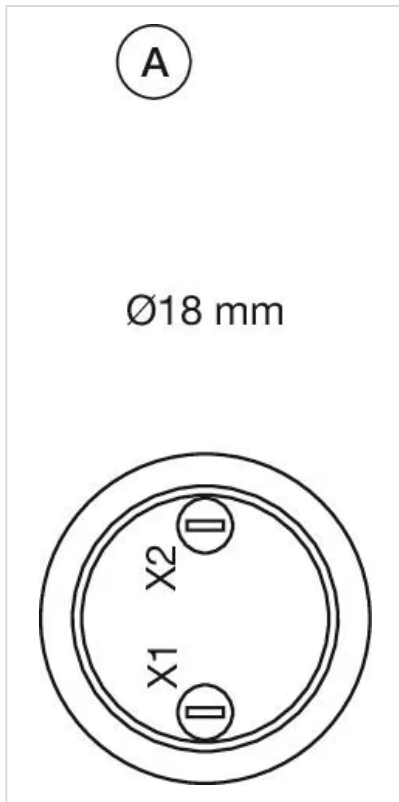
Short Description: Actuator, Plug-in terminal, 2.8 x 0.5 mm, IP65, according to DIN EN 60529

Housing colour: Black

Wiring diagrams:

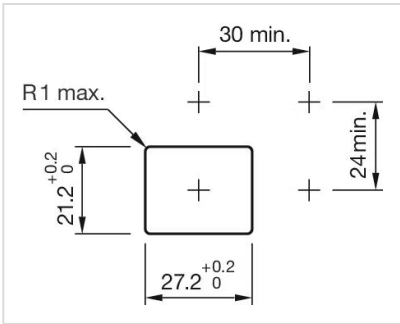
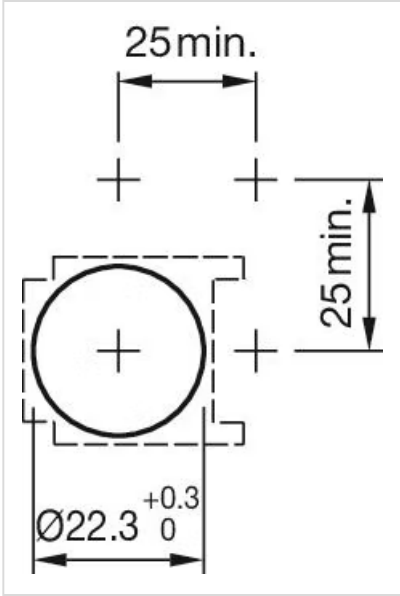
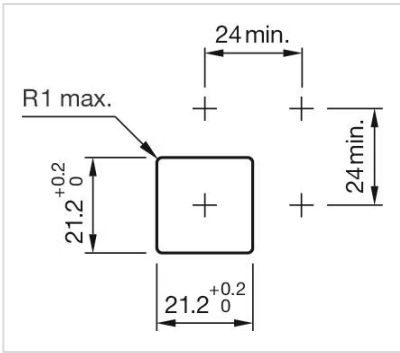


Component layouts:

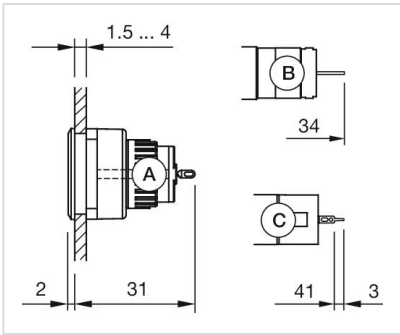


A = Terminals (rear side)

Mounting cut-outs:



Dimension drawings:



- A = Solder terminal
- B = Plug-in terminal 2.8 mm x 0.5 mm
- C = Universal terminal 2.0 mm x 0.5 mm