

Actuator

46-
2W44.1CN0.001

Distribution by
DigiKey

DigiKey



<https://digikey.eao.com/p/46-2W44.1CN0.001>

Your product:



46-2W44.1CN0.001 Actuator

FRONT

| | |
|------------------------------|---------|
| Front bezel colour: | Black |
| Front form: | round |
| Front dimension: | Ø 30 mm |
| Front bezel material: | Plastic |

MOUNTING

| | |
|--------------------------|-----------|
| Design: | raised |
| Mounting cut-out: | Ø 22.3 mm |

OPERATING-/INDICATION PART

| | |
|--------------------------|---------|
| Lever shape: | short |
| Lever material: | plastic |
| Lever bar colour: | White |
| Lever colour: | White |

ELECTRICAL CHARACTERISTICS

| | |
|--------------------------|----|
| Protection class: | II |
|--------------------------|----|

MECHANICAL CHARACTERISTIC

| | |
|-----------------------------|----------------------------|
| Switching action: | Maintained - Momentary |
| Mechanical lifetime: | 1 Mio. cycles of operation |
| Switching angle: | 90° |

Switching positions: 2 positions
Weight: 0.027 kg
Tightening torque: 2 ... 3 Nm (17.7 ... 26.6 Lb-in)

AMBIENT CONDITION

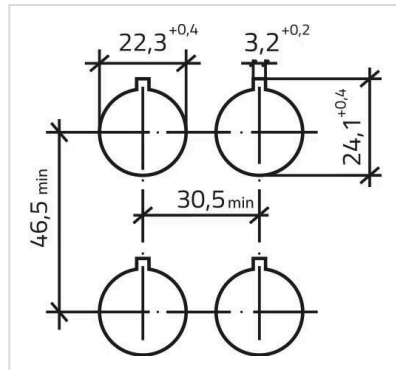
Vibration resistance: 5g f= 2...500Hz (EN-IEC 60068-2-6)
Climate resistance: +25°C-97%RH / +45°C-93%RH (IEC-EN60068-2-30)
IP front protection: IP65
IK front protection: IK03
Operating temperature: - 25 °C ... + 55 °C
Shock resistance: 30g, 18ms (EN-IEC 60068-2-27)

CERTIFICATE

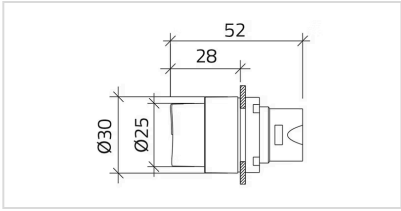
Conformities: CE
Standards: CSA C22-2, IEC EN 60947-1, IEC EN 60947-5-1, UL508

OTHER

Short Description: Actuator, Ø 22.3 mm, Ø 30 mm, illuminative, White, short, round, Black, Plastic, Maintained - Momentary, IP65, IK03
Housing material: Plastic
max. number of switching elements: 2
Housing colour: Black
Mounting cut-outs:



Dimension drawings:



Switching positions:

