

Actuator

46-
2W28.4CE0.001

Distribution by
DigiKey

DigiKey



<https://digikey.eao.com/p/46-2W28.4CE0.001>

Your product:



46-2W28.4CE0.001 Actuator

FRONT

Front bezel colour:	Silver
Front bezel material:	Aluminium
Front form:	round
Front dimension:	Ø 35 mm

MOUNTING

Mounting cut-out:	Ø 30.5 mm
Design:	flush

OPERATING-/INDICATION PART

Lever colour:	Red
Lever bar colour:	White
Lever shape:	short
Lever material:	plastic

ELECTRICAL CHARACTERISTICS

Protection class:	I
--------------------------	---

MECHANICAL CHARACTERISTIC

Tightening torque:	2 ... 3 Nm (17.7 ... 26.6 Lb-in)
Switching positions:	2 positions
Switching action:	Maintained - Maintained

Switching angle: 90°
Weight: 0.036 kg
Mechanical lifetime: 1 Mio. cycles of operation

AMBIENT CONDITION

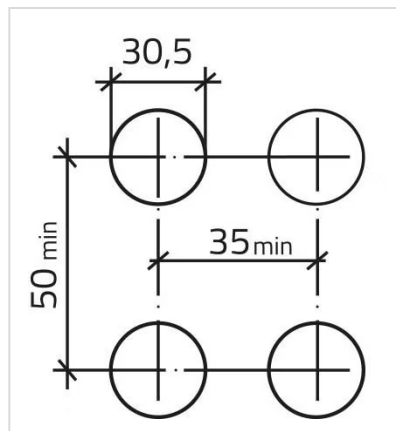
Shock resistance: 30g, 18ms (EN-IEC 60068-2-27)
50g, 11ms (EN-IEC 60068-2-27)
Operating temperature: - 25 °C ... + 55 °C
IP front protection: IP65
Vibration resistance: 5g f= 2...500Hz (EN-IEC 60068-2-6)
IK front protection: IK04
Climate resistance: +25°C-97%RH / +45°C-93%RH (IEC-EN60068-2-30)

CERTIFICATE

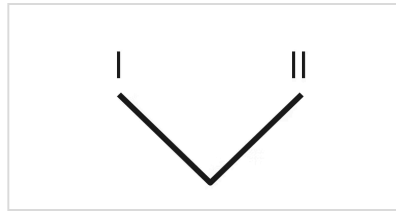
Standards: CSA C22-2, IEC EN 60947-1, IEC EN 60947-5-1, UL508
Conformities: CE
Approbations: CSA, UL

OTHER

Short Description: Actuator, Ø 30.5 mm, Ø 35 mm, illuminative, Red, short, round, Silver, Aluminium, Maintained - Maintained, IP65, IK04
Housing colour: Black
Housing material: Plastic
max. number of switching elements: 4
Mounting cut-outs:



Switching positions:



Dimension drawings:

