

Actuator

46-
2W19.1CN0.004

Distribution by
DigiKey

DigiKey



<https://digikey.eao.com/p/46-2W19.1CN0.004>

Your product:



46-2W19.1CN0.004 Actuator

FRONT

Front bezel colour:	Black
Front form:	round
Front bezel material:	Plastic
Front dimension:	Ø 30 mm

MOUNTING

Design:	raised
Mounting cut-out:	Ø 22.3 mm

OPERATING-/INDICATION PART

Lever shape:	short
Lever colour:	White
Lever bar colour:	White
Lever material:	plastic

ELECTRICAL CHARACTERISTICS

Protection class:	II
--------------------------	----

MECHANICAL CHARACTERISTIC

Switching action:	Maintained - Rest - Maintained
Weight:	0.027 kg
Mechanical lifetime:	1 Mio. cycles of operation

Switching angle: 45° left / 45° right
Tightening torque: 2 ... 3 Nm (17.7 ... 26.6 Lb-in)
Switching positions: 3 positions

AMBIENT CONDITION

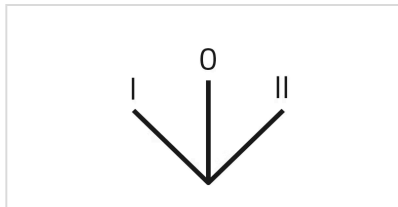
Vibration resistance: 5g f= 2...500Hz (EN-IEC 60068-2-6)
IK front protection: IK03
Operating temperature: - 25 °C ... + 55 °C
Climate resistance: +25°C-97%RH / +45°C-93%RH (IEC-EN60068-2-30)
IP front protection: IP65
Shock resistance: 30g, 18ms (EN-IEC 60068-2-27)

CERTIFICATE

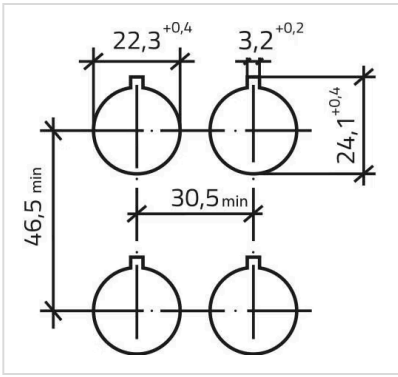
Conformities: CE
Standards: CSA C22-2, IEC EN 60947-1, IEC EN 60947-5-1, UL508

OTHER

Short Description: Actuator, Ø 22.3 mm, Ø 30 mm, illuminative, White, short, round, Black, Plastic, Maintained - Rest - Maintained, IP65, IK03
max. number of switching elements: 2
Housing material: Plastic
Housing colour: Black
Switching positions:



Mounting cut-outs:



Dimension drawings:

