

# Actuator

46-  
2T00.10G0.000

Distribution by  
DigiKey

**DigiKey**



<https://digikey.eao.com/p/46-2T00.10G0.000>

Your product:

---



## 46-2T00.10G0.000 Actuator

### FRONT

<b>Front bezel material:</b>	Plastic
<b>Front form:</b>	round
<b>Front dimension:</b>	Ø 29 mm
<b>Front bezel colour:</b>	White

### MOUNTING

<b>Mounting cut-out:</b>	Ø 22.3 mm
<b>Design:</b>	raised

### OPERATING-/INDICATION PART

<b>Lens cap optical effect:</b>	transparent
<b>Lens cap shape:</b>	flush
<b>Lens cap material:</b>	Plastic
<b>Lens cap colour:</b>	Yellow
<b>Illumination colour:</b>	Yellow

### ELECTRICAL CHARACTERISTICS

<b>Protection class:</b>	II
--------------------------	----

### MECHANICAL CHARACTERISTIC

<b>Tightening torque:</b>	1 ... 2.5 Nm (8.8 ... 22.1 Lb-in)
<b>Weight:</b>	0.009 kg

## AMBIENT CONDITION

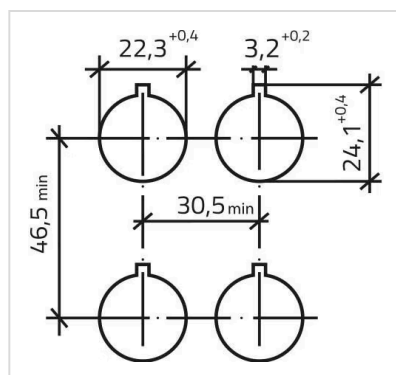
<b>IK front protection:</b>	IK03
<b>Shock resistance:</b>	30g, 18ms (EN-IEC 60068-2-27) 50g, 11ms (EN-IEC 60068-2-27)
<b>Vibration resistance:</b>	5g f= 2...500Hz (EN-IEC 60068-2-6)
<b>IP front protection:</b>	IP65
<b>Operating temperature:</b>	- 25 °C ... + 55 °C
<b>Climate resistance:</b>	+25°C-97%RH / +45°C-93%RH (IEC-EN60068-2-30)

## CERTIFICATE

<b>Conformities:</b>	CE
<b>Approbations:</b>	CSA, EAC, UL
<b>Standards:</b>	CSA C22-2, IEC EN 60947-1, IEC EN 60947-5-1, UL508

## OTHER

<b>Housing colour:</b>	White
<b>Housing material:</b>	Plastic
<b>Short Description:</b>	Actuator, Ø 22.3 mm, Ø 29 mm, round, White, Plastic, IP65, IK03, Yellow
<b>Mounting cut-outs:</b>	



## Dimension drawings:

