

Actuator

46-
2T00.10E0.000

Distribution by
DigiKey

DigiKey



<https://digikey.eao.com/p/46-2T00.10E0.000>

Your product:



46-2T00.10E0.000 Actuator

FRONT

Front dimension:	Ø 29 mm
Front bezel colour:	White
Front bezel material:	Plastic
Front form:	round

MOUNTING

Design:	raised
Mounting cut-out:	Ø 22.3 mm

OPERATING-/INDICATION PART

Lens cap optical effect:	transparent
Lens cap shape:	flush
Lens cap material:	Plastic
Illumination colour:	Red
Lens cap colour:	Red

ELECTRICAL CHARACTERISTICS

Protection class:	II
--------------------------	----

MECHANICAL CHARACTERISTIC

Tightening torque:	1 ... 2.5 Nm (8.8 ... 22.1 Lb-in)
Weight:	0.009 kg

AMBIENT CONDITION

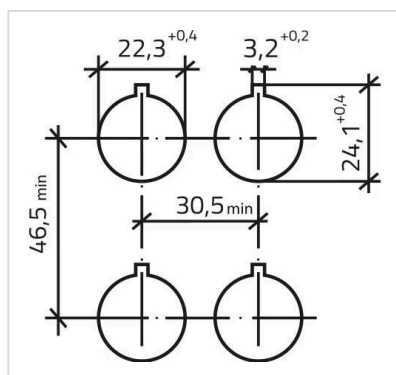
Operating temperature:	- 25 °C ... + 55 °C
Shock resistance:	30g, 18ms (EN-IEC 60068-2-27) 50g, 11ms (EN-IEC 60068-2-27)
Vibration resistance:	5g f= 2...500Hz (EN-IEC 60068-2-6)
IK front protection:	IK03
IP front protection:	IP65
Climate resistance:	+25°C-97%RH / +45°C-93%RH (IEC-EN60068-2-30)

CERTIFICATE

Conformities:	CE
Standards:	CSA C22-2, IEC EN 60947-1, IEC EN 60947-5-1, UL508
Approbations:	CSA, EAC, UL

OTHER

Short Description:	Actuator, Ø 22.3 mm, Ø 29 mm, round, White, Plastic, IP65, IK03, Red
Housing material:	Plastic
Housing colour:	White
Mounting cut-outs:	



Dimension drawings:

