

Actuator

46-
2K31.15T0.000

Distribution by
DigiKey

DigiKey



<https://digkey.eao.com/p/46-2K31.15T0.000>

Your product:



46-2K31.15T0.000 Actuator

FRONT

Front bezel colour:	Black
Front bezel material:	Plastic
Front dimension:	58 mm x 29 mm

MOUNTING

Mounting cut-out:	Ø 22.3 mm
Design:	raised

OPERATING-/INDICATION PART

Lens colour:	Green-red
Lens material:	Plastic
Lens optics:	opaque
Lens shape:	flush
Lens illumination:	illuminative

ELECTRICAL CHARACTERISTICS

Protection class:	II
--------------------------	----

MECHANICAL CHARACTERISTIC

Mechanical lifetime:	1 Mio. cycles of operation
Weight:	0.025 kg
Tightening torque:	2 ... 3 Nm (17.7 ... 26.6 Lb-in)

Switching action: Momentary

AMBIENT CONDITION

IK front protection: IK03

Vibration resistance: 5g f= 2...500Hz (EN-IEC 60068-2-6)

IP front protection: IP65

Shock resistance: 30g, 18ms (EN-IEC 60068-2-27)
50g, 11ms (EN-IEC 60068-2-27)

Operating temperature: - 25 °C ... + 55 °C

Climate resistance: +25°C-97%RH / +45°C-93%RH (IEC-EN60068-2-30)

CERTIFICATE

Standards: CSA C22-2, IEC EN 60947-1, IEC EN 60947-5-1, UL508

Conformities: CE

Approbations: CSA, EAC, UL

OTHER

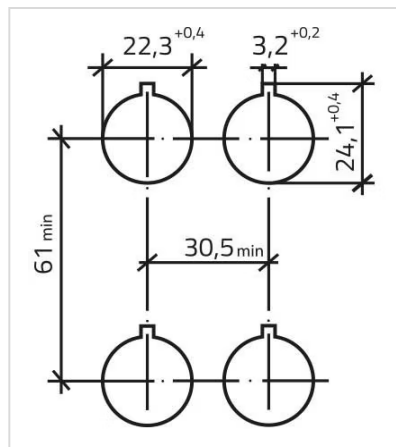
Housing colour: Black

max. number of switching elements: 8

Short Description: Actuator, Ø 22.3 mm, 58 mm x 29 mm, flush, illuminative, Green-red, Plastic, opaque, Black, Plastic, Momentary, IP65, IK03

Housing material: Plastic

Mounting cut-outs:



Dimension drawings:

