

Actuator

46-
2C36.1M20.000

Distribution by
DigiKey

DigiKey



<https://digikey.eao.com/component/46-2C36.1M2...>

Your product:



46-2C36.1M20.000 Actuator

Loading ...

FRONT

Front dimension: Ø 32 mm

Front form: Round

MOUNTING

Design: Raised

Mounting cut-out: Ø 22.3 mm

Mounting type: Panel mounting

OPERATING-/INDICATION PART

Lens colour: Red

Lens material: Plastic

Lens illumination: Non illuminated

Lens shape: Mushroom-head

Lens optics: opaque

ELECTRICAL CHARACTERISTICS

Protection class: II

MECHANICAL CHARACTERISTICS

Release type: Twist to unlock

Mechanical lifetime: 50 000 cycles of operation

Tightening torque: 2 ... 3 Nm (17.7 ... 26.6 Lb-in)

Weight: 0.034 kg

AMBIENT CONDITION

IP front protection: IP65

IK front protection: IK03

Operating temperature: - 25 °C ... + 55 °C

Shock resistance: 30g, 18ms (EN-IEC 60068-2-27)
50g, 11ms (EN-IEC 60068-2-27)

Vibration resistance: 5g f= 2...500Hz (EN-IEC 60068-2-6)

Climate resistance: +25°C-97%RH / +45°C-93%RH (IEC-EN60068-2-30)

CERTIFICATE

Approbations: CSA, EAC, UL

Conformities: CE

REACH: REACH compliant

RoHS: RoHS compliant

Standards: CSA C22-2, IEC EN 60947-1, IEC EN 60947-5-1, IEC EN 60947-5-5, UL508, UNI EN ISO 12100, UNI EN ISO 13850

OTHER

Short Description: Actuator, Ø 22.3 mm, Ø 32 mm, Mushroom-head, Non illuminated, Red, Plastic, opaque, Round, IP65, IK03, Twist to unlock

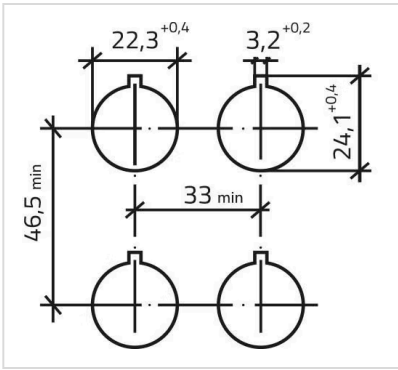
Dimension: Ø 32 mm

Housing colour: Yellow

Housing material: Plastic

max. number of switching elements: 4

Mounting cut-outs:



Dimension drawings:

