

Actuator

46-
2925.1000.7P8

Distribution by
DigiKey

DigiKey



<https://digikey.eao.com/p/46-2925.1000.7P8>

Your product:



46-2925.1000.7P8 Actuator

FRONT

Front bezel material:	Plastic
Front form:	round
Front dimension:	Ø 29 mm
Front bezel colour:	Black

MOUNTING

Design:	raised
Mounting cut-out:	Ø 22.3 mm

ELECTRICAL CHARACTERISTICS

Protection class:	II
--------------------------	----

MECHANICAL CHARACTERISTIC

Weight:	0.076 kg
Switching action:	Rest - Maintained (a)
Mechanical lifetime:	50 000 cycles of operation
Switching positions:	2 positions
Tightening torque:	2 ... 3 Nm (17.7 ... 26.6 Lb-in)
Switching angle:	60° right

AMBIENT CONDITION

Climate resistance:	+25°C-97%RH / +45°C-93%RH (IEC-EN60068-2-30)
----------------------------	--

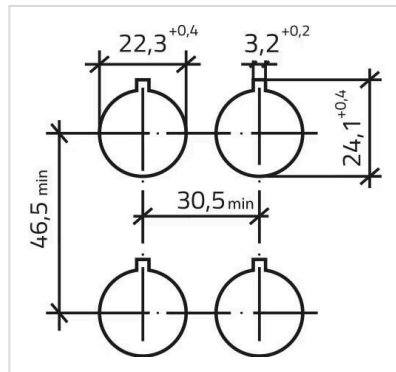
IP front protection: IP65
Vibration resistance: 5g f= 2...500Hz (EN-IEC 60068-2-6)
IK front protection: IK06
Operating temperature: - 25 °C ... + 55 °C
Shock resistance: 30g, 18ms (EN-IEC 60068-2-27)
50g, 11ms (EN-IEC 60068-2-27)

CERTIFICATE

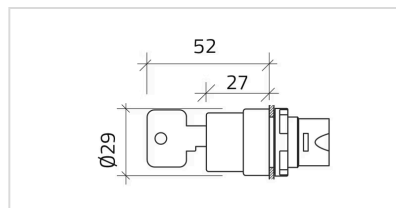
Conformities: CE
Approbations: CSA, EAC, UL
Standards: CSA C22-2, IEC EN 60947-1, IEC EN 60947-5-1, UL508

OTHER

Housing material: Plastic
Housing colour: Black
Short Description: Actuator, Ø 22.3 mm, Ø 29 mm, round, Black, Plastic, Rest - Maintained (a), IP65, IK06
max. number of switching elements: 8
Mounting cut-outs:



Dimension drawings:



Switching positions:

