

Actuator

46-
2847.1CQ0.009

Distribution by
DigiKey

DigiKey



<https://digikey.eao.com/p/46-2847.1CQ0.009>

Your product:



46-2847.1CQ0.009 Actuator

FRONT

Front form:	round
Front bezel colour:	Black
Front dimension:	Ø 29 mm
Front bezel material:	Plastic

MOUNTING

Mounting cut-out:	Ø 22.3 mm
Design:	raised

OPERATING-/INDICATION PART

Lever colour:	Black
Lever bar colour:	Blue
Lever shape:	short
Lever material:	plastic

ELECTRICAL CHARACTERISTICS

Protection class:	II
--------------------------	----

MECHANICAL CHARACTERISTIC

Tightening torque:	2 ... 3 Nm (17.7 ... 26.6 Lb-in)
Switching action:	Maintained - Maintained - Maintained - Maintained - Maintained
Weight:	0.027 kg

Mechanical lifetime: 1 Mio. cycles of operation
Switching positions: 5 positions
Switching angle: 39°

AMBIENT CONDITION

Operating temperature: - 25 °C ... + 55 °C
IP front protection: IP65
Vibration resistance: 5g f= 2...500Hz (EN-IEC 60068-2-6)
Climate resistance: +25°C-97%RH / +45°C-93%RH (IEC-EN60068-2-30)
IK front protection: IK06
Shock resistance: 30g, 18ms (EN-IEC 60068-2-27)
50g, 11ms (EN-IEC 60068-2-27)

CERTIFICATE

Conformities: CE
Approbations: CSA, EAC, UL
Standards: CSA G22-2, IEC EN 60947-1, IEC EN 60947-5-1, UL508

OTHER

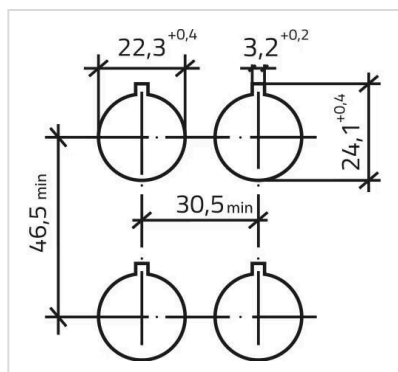
Short Description: Actuator, Ø 22.3 mm, Ø 29 mm, non illuminative, Black, short, round, Black, Plastic, Maintained - Maintained - Maintained - Maintained - Maintained, IP65, IK06

max. number of switching elements: 8

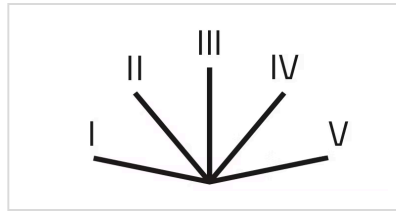
Housing material: Plastic

Housing colour: Black

Mounting cut-outs:



Switching positions:



Dimension drawings:

