

Actuator

46-
2844.4EV0.005

Distribution by
DigiKey

DigiKey



<https://digikey.eao.com/p/46-2844.4EV0.005>

Your product:



46-2844.4EV0.005 Actuator

FRONT

Front form:	round
Front bezel material:	Aluminium
Front dimension:	Ø 35 mm
Front bezel colour:	Silver

MOUNTING

Mounting type:	Panel mounting
Mounting cut-out:	Ø 30.5 mm
Design:	flush

OPERATING-/INDICATION PART

Lever shape:	short
Lever bar colour:	White
Lever colour:	Black
Lever material:	plastic

ELECTRICAL CHARACTERISTICS

Protection class:	I
--------------------------	---

MECHANICAL CHARACTERISTIC

Tightening torque:	2 ... 3 Nm (17.7 ... 26.6 Lb-in)
Switching action:	Rest - Momentary

Weight:	0.039 kg
Mechanical lifetime:	1 Mio. cycles of operation
Switching positions:	2 positions
Switching angle:	45° right

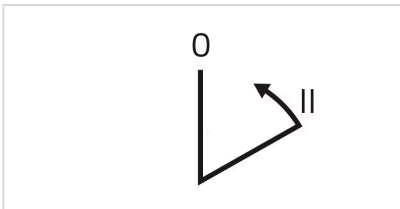
AMBIENT CONDITION

IK front protection:	IK04
Vibration resistance:	5g f= 2...500Hz (EN-IEC 60068-2-6)
Shock resistance:	30g, 18ms (EN-IEC 60068-2-27) 50g, 11ms (EN-IEC 60068-2-27)
Climate resistance:	+25°C-97%RH / +45°C-93%RH (IEC-EN60068-2-30)
Operating temperature:	- 25 °C ... + 55 °C
IP front protection:	IP65

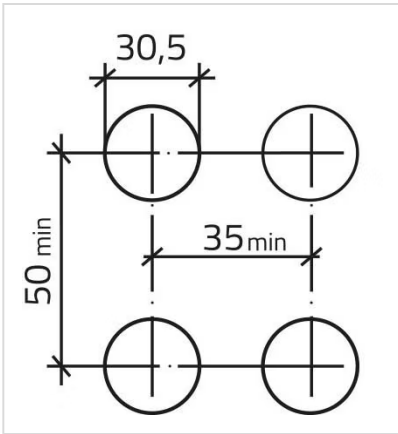
CERTIFICATE

Standards:	CSA C22-2, IEC EN 60947-1, IEC EN 60947-5-1, UL508
Approbations:	CSA, UL
Conformities:	CE

OTHER

Short Description:	Actuator, Ø 30.5 mm, Ø 35 mm, non illuminative, Black, short, round, Silver, Aluminium, Rest - Momentary, IP65, IK04
Housing colour:	Black
max. number of switching elements:	6
Housing material:	Plastic
Switching positions:	

Mounting cut-outs:



Dimension drawings:

