

# Actuator

46-  
2844.1CV0.008

Distribution by  
DigiKey

**DigiKey**



<https://digikey.eao.com/p/46-2844.1CV0.008>

Your product:

---



## 46-2844.1CV0.008 Actuator

### FRONT

<b>Front form:</b>	round
<b>Front bezel colour:</b>	Black
<b>Front bezel material:</b>	Plastic
<b>Front dimension:</b>	Ø 29 mm

### MOUNTING

<b>Design:</b>	raised
<b>Mounting type:</b>	Panel mounting
<b>Mounting cut-out:</b>	Ø 22.3 mm

### OPERATING-/INDICATION PART

<b>Lever material:</b>	plastic
<b>Lever shape:</b>	short
<b>Lever bar colour:</b>	White
<b>Lever colour:</b>	Black

### ELECTRICAL CHARACTERISTICS

<b>Protection class:</b>	II
--------------------------	----

### MECHANICAL CHARACTERISTIC

<b>Switching angle:</b>	60° right
<b>Tightening torque:</b>	2 ... 3 Nm (17.7 ... 26.6 Lb-in)

**Mechanical lifetime:** 1 Mio. cycles of operation  
**Switching action:** Rest - Momentary  
**Switching positions:** 2 positions  
**Weight:** 0.027 kg

### AMBIENT CONDITION

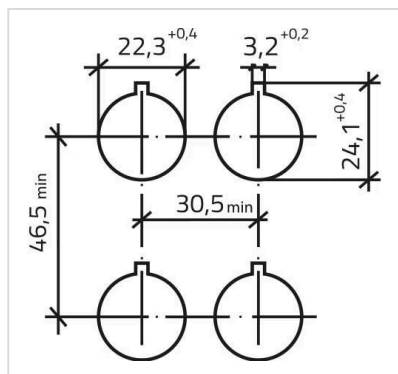
**Operating temperature:** - 25 °C ... + 55 °C  
**Shock resistance:** 30g, 18ms (EN-IEC 60068-2-27)  
50g, 11ms (EN-IEC 60068-2-27)  
**IK front protection:** IK06  
**Vibration resistance:** 5g f= 2...500Hz (EN-IEC 60068-2-6)  
**IP front protection:** IP65  
**Climate resistance:** +25°C-97%RH / +45°C-93%RH (IEC-EN60068-2-30)

### CERTIFICATE

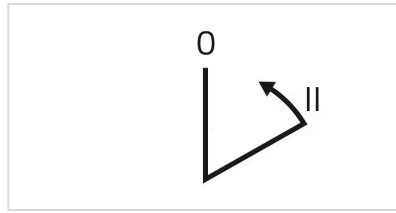
**Standards:** CSA C22-2, IEC EN 60947-1, IEC EN 60947-5-1, UL508  
**Approbations:** CSA, EAC, UL  
**Conformities:** CE

### OTHER

**Short Description:** Actuator, Ø 22.3 mm, Ø 29 mm, non illuminative, Black, short, round, Black, Plastic, Rest - Momentary, IP65, IK06  
**Housing colour:** Black  
**Housing material:** Plastic  
**max. number of switching elements:** 8  
**Mounting cut-outs:**



**Switching positions:**



**Dimension drawings:**

