

Actuator

46-
2828.1CV0.008

Distribution by
DigiKey

DigiKey



<https://digikey.eao.com/p/46-2828.1CV0.008>

Your product:



46-2828.1CV0.008 Actuator

FRONT

Front bezel material:	Plastic
Front form:	round
Front bezel colour:	Black
Front dimension:	Ø 29 mm

MOUNTING

Mounting cut-out:	Ø 22.3 mm
Design:	raised

OPERATING-/INDICATION PART

Lever colour:	Black
Lever shape:	short
Lever bar colour:	White
Lever material:	plastic

ELECTRICAL CHARACTERISTICS

Protection class:	II
--------------------------	----

MECHANICAL CHARACTERISTIC

Switching positions:	2 positions
Weight:	0.027 kg
Tightening torque:	2 ... 3 Nm (17.7 ... 26.6 Lb-in)

Switching angle: 60° right
Mechanical lifetime: 1 Mio. cycles of operation
Switching action: Rest - Maintained

AMBIENT CONDITION

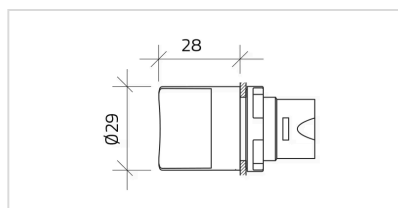
Climate resistance: +25°C-97%RH / +45°C-93%RH (IEC-EN60068-2-30)
IK front protection: IK06
Operating temperature: - 25 °C ... + 55 °C
IP front protection: IP65
Shock resistance: 30g, 18ms (EN-IEC 60068-2-27)
50g, 11ms (EN-IEC 60068-2-27)
Vibration resistance: 5g f= 2...500Hz (EN-IEC 60068-2-6)

CERTIFICATE

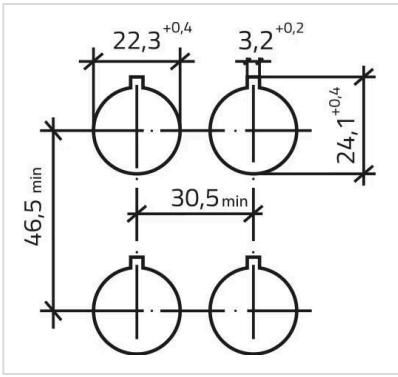
Standards: CSA C22-2, IEC EN 60947-1, IEC EN 60947-5-1, UL508
Conformities: CE
Approbations: CSA, EAC, UL

OTHER

max. number of switching elements: 8
Short Description: Actuator, Ø 22.3 mm, Ø 29 mm, non illuminative, Black, short, round, Black, Plastic, Rest - Maintained, IP65, IK06
Housing material: Plastic
Housing colour: Black
Dimension drawings:



Mounting cut-outs:



Switching positions:

