

# Actuator

46-  
2234.11H0.000

Distribution by  
DigiKey

**DigiKey**



<https://digikey.eao.com/p/46-2234.11H0.000>

Your product:

---



## 46-2234.11H0.000 Actuator

### FRONT

<b>Front bezel colour:</b>	Black
<b>Front bezel material:</b>	Plastic
<b>Front dimension:</b>	Ø 29 mm
<b>Front form:</b>	round

### MOUNTING

<b>Design:</b>	raised
<b>Mounting cut-out:</b>	Ø 22.3 mm

### OPERATING-/INDICATION PART

<b>Lens colour:</b>	Green
<b>Lens illumination:</b>	illuminative
<b>Lens optics:</b>	transparent
<b>Lens shape:</b>	flush
<b>Lens material:</b>	Plastic

### ELECTRICAL CHARACTERISTICS

<b>Protection class:</b>	II
--------------------------	----

### MECHANICAL CHARACTERISTIC

<b>Mechanical lifetime:</b>	500 000 cycles of operation
<b>Weight:</b>	0.019 kg

**Tightening torque:** 2 ... 3 Nm (17.7 ... 26.6 Lb-in)

**Switching action:** Maintained

### AMBIENT CONDITION

**IK front protection:** IK03

**Vibration resistance:** 5g f= 2...500Hz (EN-IEC 60068-2-6)

**Climate resistance:** +25°C-97%RH / +45°C-93%RH (IEC-EN60068-2-30)

**IP front protection:** IP65

**Operating temperature:** - 25 °C ... + 55 °C

**Shock resistance:** 30g, 18ms (EN-IEC 60068-2-27)  
50g, 11ms (EN-IEC 60068-2-27)

### CERTIFICATE

**Standards:** CSA C22-2, IEC EN 60947-1, IEC EN 60947-5-1, UL508

**Conformities:** CE

**Approbations:** CSA, EAC, UL

### OTHER

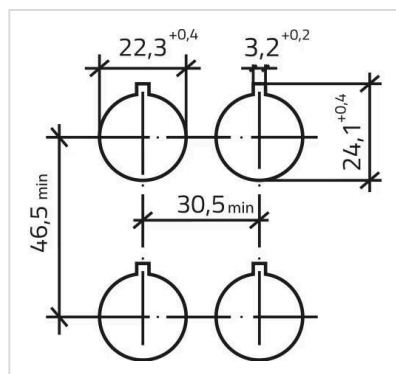
**Short Description:** Actuator, Ø 22.3 mm, Ø 29 mm, flush, illuminative, Green, Plastic, transparent, round, Black, Plastic, Maintained, IP65, IK03

**max. number of switching elements:** 4

**Housing material:** Plastic

**Housing colour:** Black

**Mounting cut-outs:**



**Dimension drawings:**

