

Actuator

46-
2231.4FK0.000

Distribution by
DigiKey

DigiKey



<https://digkey.eao.com/p/46-2231.4FK0.000>

Your product:



46-2231.4FK0.000 Actuator

FRONT

Front bezel colour:	Silver
Front form:	round
Front bezel material:	Aluminium
Front dimension:	Ø 35 mm

MOUNTING

Design:	flush
Mounting cut-out:	Ø 30.5 mm

OPERATING-/INDICATION PART

Lens material:	Plastic
Lens colour:	White
Lens illumination:	illuminative
Lens optics:	transparent
Lens shape:	flush

ELECTRICAL CHARACTERISTICS

Protection class:	I
--------------------------	---

MECHANICAL CHARACTERISTIC

Switching action:	Momentary
Tightening torque:	2 ... 3 Nm (17.7 ... 26.6 Lb-in)

Weight: 0.035 kg
Mechanical lifetime: 1 Mio. cycles of operation

AMBIENT CONDITION

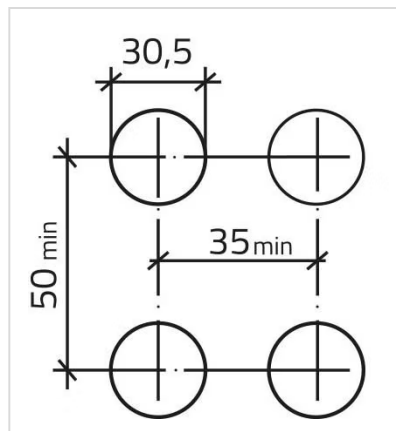
Vibration resistance: 5g f= 2...500Hz (EN-IEC 60068-2-6)
IP front protection: IP65
Operating temperature: - 25 °C ... + 55 °C
Climate resistance: +25°C-97%RH / +45°C-93%RH (IEC-EN60068-2-30)
IK front protection: IK04
Shock resistance: 30g, 18ms (EN-IEC 60068-2-27)
50g, 11ms (EN-IEC 60068-2-27)

CERTIFICATE

Conformities: CE
Standards: CSA C22-2, IEC EN 60947-1, IEC EN 60947-5-1, UL508
Approbations: CSA, UL

OTHER

Housing colour: Black
Housing material: Plastic
max. number of switching elements: 6
Short Description: Actuator, Ø 30.5 mm, Ø 35 mm, flush, illuminative, White, Plastic, transparent, round, Silver, Aluminium, Momentary, IP65, IK04
Mounting cut-outs:



Dimension drawings:

