

# Actuator

46-  
2134.1220.000

Distribution by  
DigiKey

**DigiKey**



<https://digikey.eao.com/p/46-2134.1220.000>

Your product:

---



## 46-2134.1220.000 Actuator

### FRONT

<b>Front dimension:</b>	Ø 29 mm
<b>Front bezel colour:</b>	Black
<b>Front bezel material:</b>	Plastic
<b>Front form:</b>	round

### MOUNTING

<b>Design:</b>	raised
<b>Mounting cut-out:</b>	Ø 22.3 mm

### OPERATING-/INDICATION PART

<b>Lens illumination:</b>	non illuminative
<b>Lens colour:</b>	Red
<b>Lens shape:</b>	flush
<b>Lens material:</b>	Plastic
<b>Lens optics:</b>	opaque

### ELECTRICAL CHARACTERISTICS

<b>Protection class:</b>	II
--------------------------	----

### MECHANICAL CHARACTERISTIC

<b>Tightening torque:</b>	2 ... 3 Nm (17.7 ... 26.6 Lb-in)
<b>Weight:</b>	0.02 kg

**Mechanical lifetime:** 500 000 cycles of operation

**Switching action:** Maintained

### AMBIENT CONDITION

**Operating temperature:** - 25 °C ... + 55 °C

**IK front protection:** IK03

**Climate resistance:** +25°C-97%RH / +45°C-93%RH (IEC-EN60068-2-30)

**IP front protection:** IP65

**Vibration resistance:** 5g f= 2...500Hz (EN-IEC 60068-2-6)

**Shock resistance:** 30g, 18ms (EN-IEC 60068-2-27)  
50g, 11ms (EN-IEC 60068-2-27)

### CERTIFICATE

**Conformities:** CE

**Approbations:** CSA, EAC, UL

**Standards:** CSA C22-2, IEC EN 60947-1, IEC EN 60947-5-1, UL508

### OTHER

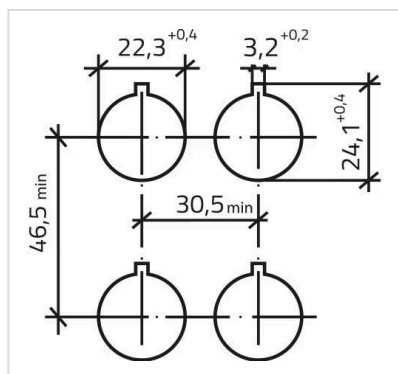
**Short Description:** Actuator, Ø 22.3 mm, Ø 29 mm, flush, non illuminative, Red, Plastic, opaque, round, Black, Plastic, Maintained, IP65, IK03

**max. number of switching elements:** 4

**Housing material:** Plastic

**Housing colour:** Black

**Mounting cut-outs:**



**Dimension drawings:**

