

Actuator

46-
2131.1150.000

Distribution by
DigiKey

DigiKey



<https://digikey.eao.com/p/46-2131.1150.000>

Your product:



46-2131.1150.000 Actuator

FRONT

Front form:	round
Front bezel material:	Plastic
Front bezel colour:	Black
Front dimension:	Ø 29 mm

MOUNTING

Design:	raised
Mounting cut-out:	Ø 22.3 mm

OPERATING-/INDICATION PART

Lens optics:	opaque
Lens illumination:	non illuminative
Lens shape:	flush
Lens material:	Plastic
Lens colour:	Green

ELECTRICAL CHARACTERISTICS

Protection class:	II
--------------------------	----

MECHANICAL CHARACTERISTIC

Tightening torque:	2 ... 3 Nm (17.7 ... 26.6 Lb-in)
Weight:	0.019 kg

Switching action: Momentary
Mechanical lifetime: 1 Mio. cycles of operation

AMBIENT CONDITION

IP front protection: IP65
Vibration resistance: 5g f= 2...500Hz (EN-IEC 60068-2-6)
Climate resistance: +25°C-97%RH / +45°C-93%RH (IEC-EN60068-2-30)
Operating temperature: - 25 °C ... + 55 °C
IK front protection: IK03
Shock resistance: 30g, 18ms (EN-IEC 60068-2-27)
50g, 11ms (EN-IEC 60068-2-27)

CERTIFICATE

Conformities: CE
Approbations: CSA, EAC, UL
Standards: CSA C22-2, IEC EN 60947-1, IEC EN 60947-5-1, UL508

OTHER

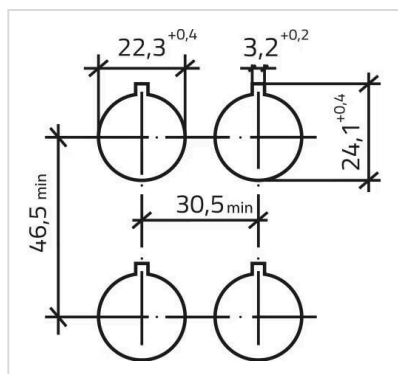
Short Description: Actuator, Ø 22.3 mm, Ø 29 mm, flush, non illuminative, Green, Plastic, opaque, round, Black, Plastic, Momentary, IP65, IK03

Housing material: Plastic

Housing colour: Black

max. number of switching elements: 8

Mounting cut-outs:



Dimension drawings:

