

Protective shroud

45-50Q.2100

Distribution by
DigiKey

DigiKey



<https://digikey.eao.com/p/45-50Q.2100>

Your product:



45-50Q.2100 Protective shroud

FRONT

Colour: Silver

MECHANICAL CHARACTERISTIC

Weight: 0.02 kg

OTHER

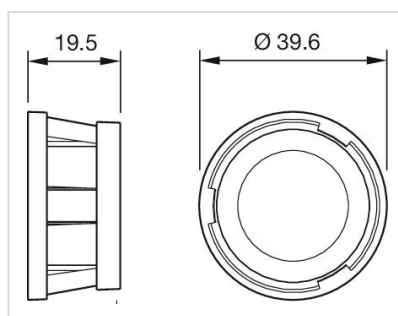
Dimension: Ø 46.4 mm

Material: Metal

Titel Accessory: Protective shroud

Short Description: Protective shroud, Ø 46.4 mm, Metal, Silver

Dimension drawings:



for Part No. 45-50Q.2100