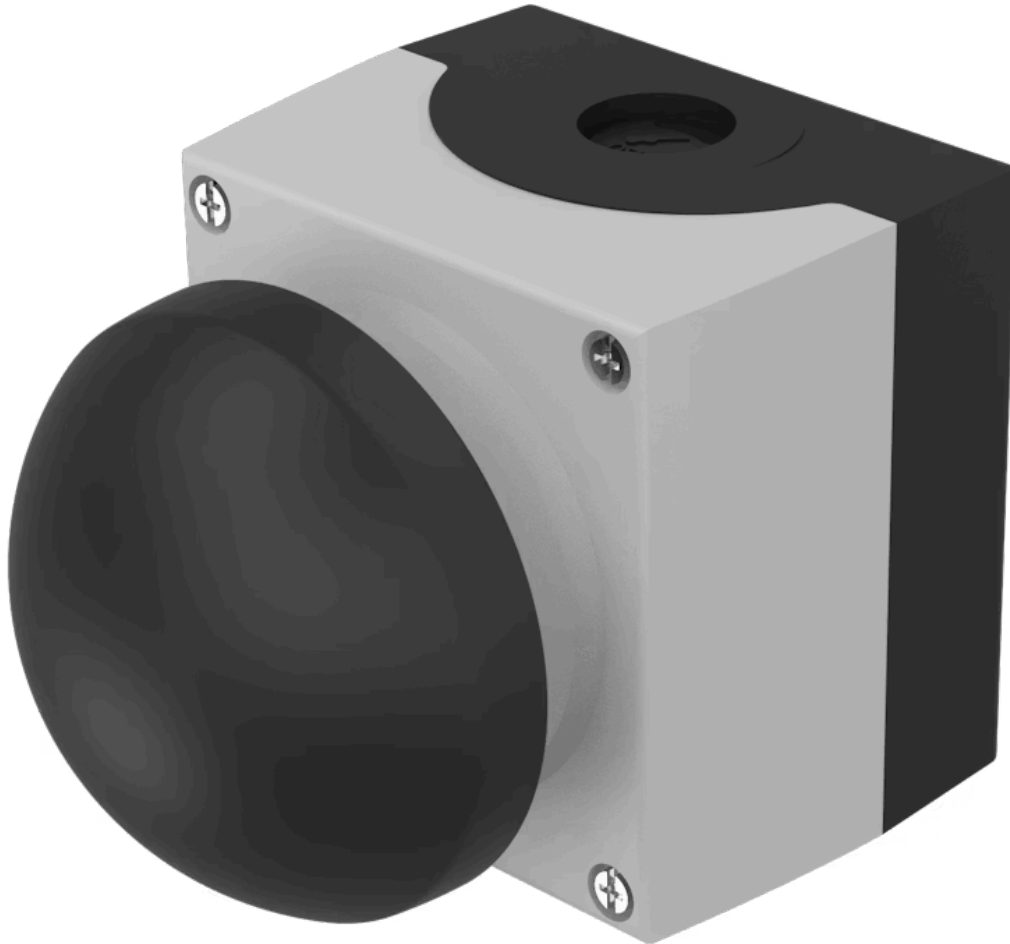


# Actuator

45-  
481.1810

Distribution by  
DigiKey

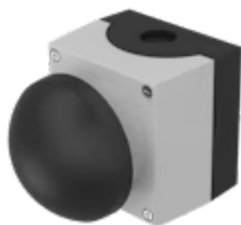
**DigiKey**



<https://digikey.eao.com/component/45-481.1810...>

Your product:

---



## 45-481.1810 Actuator

*Loading ...*

### FRONT

**Front dimension:** 85 mm x 85 mm

**Front form:** Square

### MOUNTING

**Design:** Raised

**Mounting cut-out:** Ø 22.3 mm

**Component mounting type:** Base mounting

**Mounting type:** Panel mounting

### OPERATING-/INDICATION PART

**Lens colour:** Black

**Lens material:** Plastic

**Lens illumination:** Non illuminated

**Lens optics:** opaque

### ELECTRICAL CHARACTERISTICS

**Rated Operational Voltage U<sub>e</sub>:** At AC: rated value 5 ... 500 V  
At DC: rated value 5 ... 500 V

### MECHANICAL CHARACTERISTICS

**Switching action:** Momentary

**Switching system:** Slow-make switching element

**Release type:** Pull unlock

**Weight:** 0.39 kg

### AMBIENT CONDITION

**IP front protection:** IP66, IP67, IP69K

**Storage temperature:** - 40 °C ... + 80 °C

**Shock resistance:** According to IEC 60068-2-27: Sinusoidal half-wave 50 g / 11 ms

**Vibration resistance:** According to IEC 60068-2-6: 10 ... 500 Hz: 5 g

**Climate resistance:** During operation according to IEC 60721: 3K6, 3C3, 3S2, 3M6, 3B2

### CERTIFICATE

**REACH:** REACH compliant

**RoHS:** RoHS compliant

### OTHER

**Short Description:** Actuator, Ø 22.3 mm, 85 mm x 85 mm, Non illuminated, Black, Plastic, opaque, Square, Momentary, IP66, IP67, IP69K, Pull unlock

**Housing colour:** Grey

**Housing material:** Plastic

**Dimension drawings:**

