

# Illumination element

45-320.2N41

Distribution by  
DigiKey

**DigiKey**



<https://digikey.eao.com/p/45-320.2N41>

Your product:

---



## 45-320.2N41 Illumination element

### MOUNTING

**Component mounting type:** Base mounting

### OPERATING-/INDICATION PART

**Illumination colour:** White

### ELECTRICAL CHARACTERISTICS

**Operating voltage:** 6 - 24,00 V AC/DC

**Lumi. Intensity:** 900 - 1400 mcd

**Surge voltage resistance:** 4 kV

### MECHANICAL CHARACTERISTIC

**Terminal:** Spring-type terminal

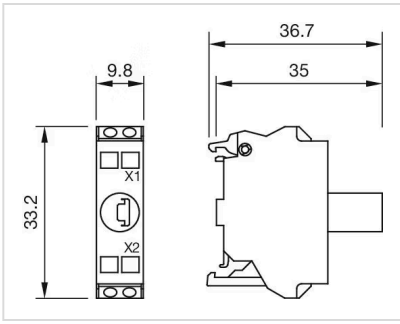
**Weight:** 0.009 kg

### OTHER

**Short Description:** Illumination element, Spring-type terminal, White, 6 - 24,00 V AC/DC, Base mounting

**Hints:** Illumination element base mounting can used only with enclosure

**Dimension drawings:**



**Wiring diagrams:**

