

# Illumination element

45-320.2F11

Distribution by  
DigiKey

**DigiKey**



<https://digikey.eao.com/p/45-320.2F11>

Your product:

---



## 45-320.2F11 Illumination element

### MOUNTING

**Component mounting type:** Base mounting

### OPERATING-/INDICATION PART

**Illumination colour:** Amber

### ELECTRICAL CHARACTERISTICS

**Operating voltage:** 6 - 24 V AC/DC

**Lumi. Intensity:** 450 - 1120 mcd

**Surge voltage resistance:** 4 kV

### MECHANICAL CHARACTERISTIC

**Terminal:** Screw terminal

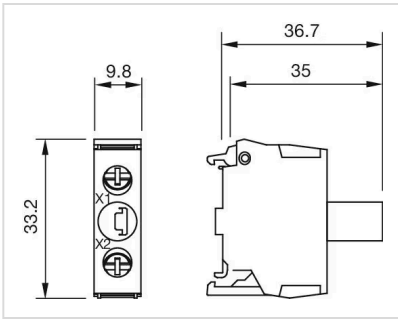
**Weight:** 0.02 kg

### OTHER

**Short Description:** Illumination element, Screw terminal, Amber, 6 - 24 V AC/DC, Base mounting

**Hints:** Illumination element base mounting can used only with enclosure

**Dimension drawings:**



**Wiring diagrams:**

