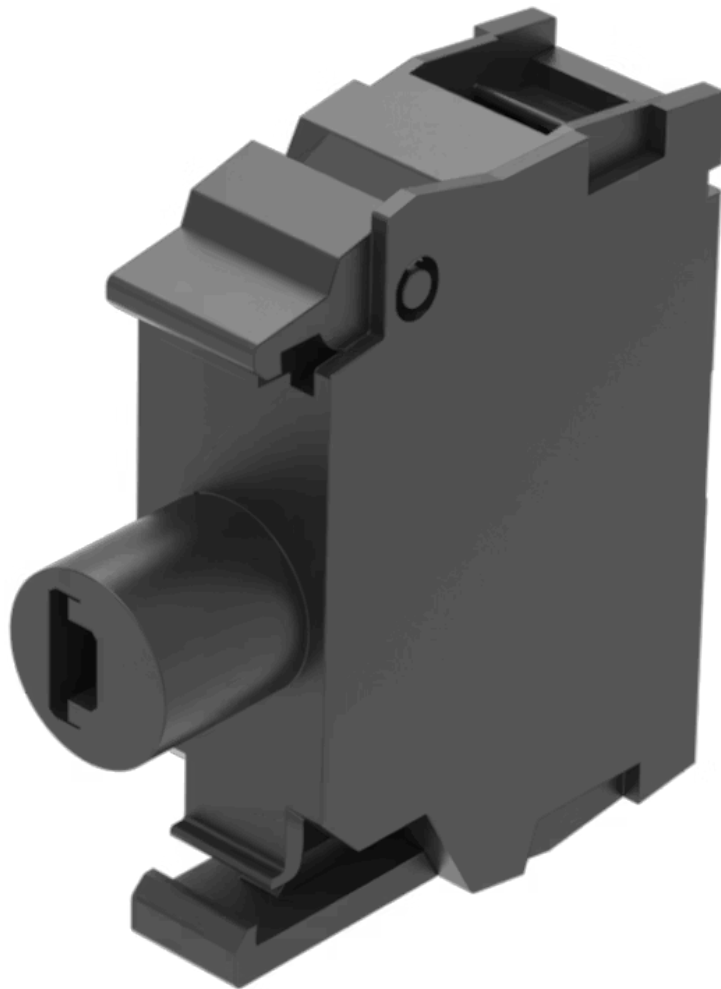


# Illumination element

45-320.1G12

Distribution by  
DigiKey

**DigiKey**



<https://digikey.eao.com/component/45-320.1G12...>

Your product:

---



## 45-320.1G12 Illumination element

*Loading ...*

### **MOUNTING**

**Component mounting type:** Front mounting

### **OPERATING-/INDICATION PART**

**Illumination colour:** Yellow

### **ELECTRICAL CHARACTERISTICS**

**Operating voltage:** 24 - 240 V AC/DC

**Surge voltage resistance:** 4 kV

**Lumi. Intensity:** 900 - 1400 mcd

### **MECHANICAL CHARACTERISTICS**

**Terminal:** Screw terminal

**Terminal details 1:** Solid 2 x (1.0 ... 1.5mm<sup>2</sup>)  
– With end sleeves 2 x (0.5 ... 0.75 mm<sup>2</sup>)

**Terminal details 2:** Finely stranded  
– Without end sleeves 2 x (0.5 ... 0.75 mm<sup>2</sup>)  
– Without end sleeves 2 x (0.5 ... 1.5 mm<sup>2</sup>)  
– For AWG cables for auxiliary contacts 2 x (18 ... 14)

**Weight:** 0.011 kg

### **CERTIFICATE**

**REACH:** REACH compliant

**RoHS:** RoHS compliant

**OTHER**

**Short Description:**

Illumination element, Screw terminal, Yellow, 24 - 240 V AC/DC, Front mounting

**Wiring diagrams:**



**Dimension drawings:**

