

# Actuator

45-  
2F0T.1010.000

Distribution by  
DigiKey

**DigiKey**



<https://digikey.eao.com/p/45-2F0T.1010.000>

Your product:

---



## 45-2F0T.1010.000 Actuator

### FRONT

<b>Front dimension:</b>	Ø 29,5 mm
<b>Front bezel colour:</b>	Black
<b>Front bezel material:</b>	Plastic

### MOUNTING

<b>Design:</b>	raised
----------------	--------

### OPERATING-/INDICATION PART

<b>Lever colour:</b>	Black
<b>Lever material:</b>	plastic

### MECHANICAL CHARACTERISTIC

<b>Weight:</b>	0.03 kg
<b>Switching action:</b>	Momentary
<b>Mechanical lifetime:</b>	250 000 cycles of operation per direction of actuation
<b>Operating frequency:</b>	1 800/h

### AMBIENT CONDITION

<b>Vibration resistance:</b>	According to IEC 60068-2-6: 10 ... 500 Hz: 5 g
<b>IP front protection:</b>	IP65, IP67
<b>Operating temperature:</b>	- 25 °C ... + 70 °C
<b>Storage temperature:</b>	- 40 °C ... + 80 °C

**Climate resistance:** During operation according to IEC 60721: 3K6, 3C3, 3S2, 3M6, 3B2

**Shock resistance:** According to IEC 60068-2-27: Sinusoidal half-wave 50 g / 11 ms

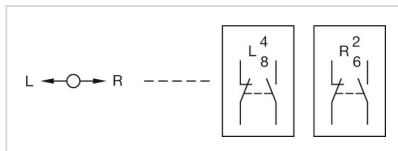
**OTHER**

**Housing material:** Plastic

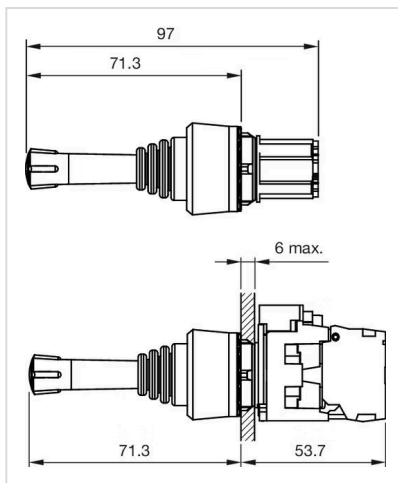
**Short Description:** Actuator, Ø 29,5 mm, Black, Black, Plastic, Momentary, IP65, IP67

**Hints:** Lockable only in center position

**Wiring diagrams:**



**Dimension drawings:**



**Mounting cut-outs:**

