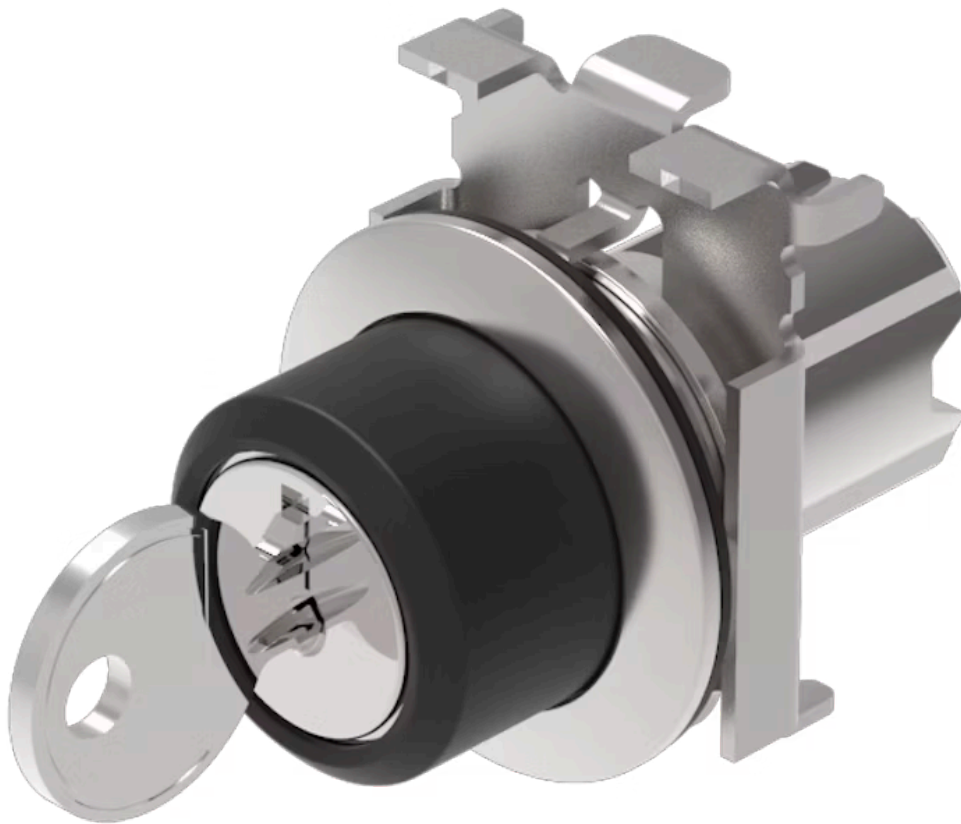


Actuator

45-
290J.4F00.111

Distribution by
DigiKey

DigiKey



<https://digikey.eao.com/component/45-290J.4F0...>

Your product:



45-290J.4F00.111 Actuator

Loading ...

FRONT

Front dimension:	Ø 38 mm
Front form:	Round
Front bezel colour:	Sand grey
Front bezel material:	Metal

MOUNTING

Design:	Flush
Mounting cut-out:	Ø 30.5 mm
Mounting type:	Panel mounting

MECHANICAL CHARACTERISTICS

Switching action:	Rest - Maintained (a)
Switching positions:	2 positions
Switching angle:	90° right / -45° ... +45°
Release type:	Key release to unlock
Mechanical lifetime:	1 Mil. cycles of operation
Operating frequency:	1 800/h
Weight:	0.106 kg

AMBIENT CONDITION

IP front protection:	IP66, IP67, IP69K
Operating temperature:	- 25 °C ... + 70 °C

Storage temperature: - 40 °C ... + 80 °C

Shock resistance: According to IEC 60068-2-27: Sinusoidal half-wave 50 g / 11 ms

Vibration resistance: According to IEC 60068-2-6: 10 ... 500 Hz: 5 g

Climate resistance: During operation according to IEC 60721: 3K6, 3C3, 3S2, 3M6

CERTIFICATE

REACH: REACH compliant

RoHS: RoHS compliant

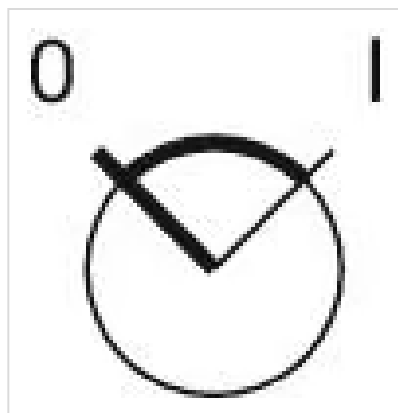
OTHER

Short Description: Actuator, Ø 30.5 mm, Ø 38 mm, Round, Sand grey, Metal, Rest - Maintained (a), IP66, IP67, IP69K, Key release to unlock

Housing material: Metal

Hints: The standard lock: RONIS, T254
Front panel thickness 1 ... 6 mm

Switching positions:



Wiring diagrams:



Dimension drawings:

