

# Actuator

45-  
290A.1000.113

Distribution by  
DigiKey

**DigiKey**



<https://digikey.eao.com/p/45-290A.1000.113>

Your product:

---



## 45-290A.1000.113 Actuator

### FRONT

<b>Front dimension:</b>	Ø 29,5 mm
<b>Front bezel colour:</b>	Black
<b>Front bezel material:</b>	Plastic

### MOUNTING

<b>Design:</b>	raised
----------------	--------

### MECHANICAL CHARACTERISTIC

<b>Weight:</b>	0.06 kg
<b>Switching action:</b>	Maintained (a) - Rest - Momentary
<b>Switching positions:</b>	3 positions
<b>Switching angle:</b>	45° left / 45° right / -45° ... +45°
<b>Mechanical lifetime:</b>	1 Mio. cycles of operation
<b>Operating frequency:</b>	1 800/h

### AMBIENT CONDITION

<b>Vibration resistance:</b>	According to IEC 60068-2-6: 10 ... 500 Hz: 5 g
<b>IP front protection:</b>	IP66, IP67, IP69K
<b>Operating temperature:</b>	- 25 °C ... + 70 °C
<b>Storage temperature:</b>	- 40 °C ... + 80 °C
<b>Climate resistance:</b>	During operation according to IEC 60721: 3K6, 3C3, 3S2, 3M6
<b>Shock resistance:</b>	According to IEC 60068-2-27: Sinusoidal half-wave 50 g / 11 ms

**OTHER**

**Housing material:**

Plastic

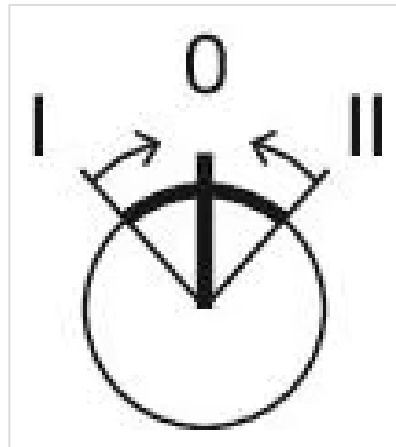
**Short Description:**

Actuator, Ø 29,5 mm, Black, Plastic, Maintained (a) - Rest - Momentary, IP66, IP67, IP69K

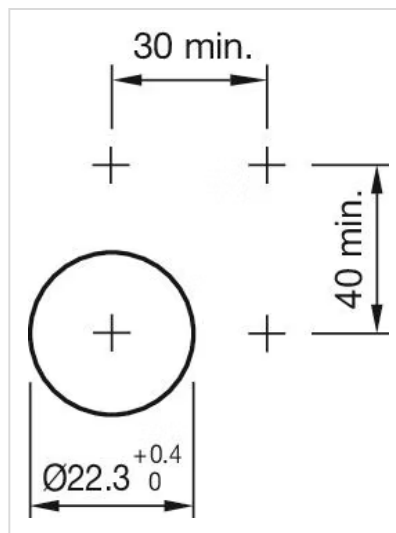
**Hints:**

The standard lock: RONIS, T254

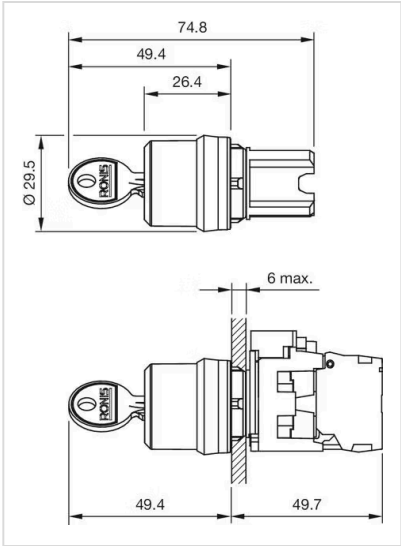
**Switching positions:**



**Mounting cut-outs:**



**Dimension drawings:**



**Wiring diagrams:**

