

# Actuator

45-  
2631.18H0.000

Distribution by  
DigiKey

**DigiKey**



<https://digikey.eao.com/component/45-2631.18H...>

Your product:

---



## 45-2631.18H0.000 Actuator

*Loading . . .*

### FRONT

<b>Front dimension:</b>	Ø 30 mm
<b>Front form:</b>	Round
<b>Front bezel colour:</b>	Black
<b>Front bezel material:</b>	Plastic

### MOUNTING

<b>Design:</b>	Raised
<b>Mounting cut-out:</b>	Ø 22.3 mm
<b>Mounting type:</b>	Panel mounting

### OPERATING-/INDICATION PART

<b>Lens colour:</b>	Green
<b>Lens material:</b>	Plastic
<b>Lens illumination:</b>	Illuminated
<b>Lens shape:</b>	Mushroom-head
<b>Lens optics:</b>	transparent

### MECHANICAL CHARACTERISTICS

<b>Switching action:</b>	Momentary
<b>Switching system:</b>	Slow-make switching element
<b>Mechanical lifetime:</b>	10 Mil. cycles of operation
<b>Operating frequency:</b>	Max. 3 600/h

**Weight:** 0.028 kg

### AMBIENT CONDITION

**IP front protection:** IP66, IP67, IP69K

**Operating temperature:** - 25 °C ... + 70 °C

**Storage temperature:** - 40 °C ... + 80 °C

**Shock resistance:** According to IEC 60068-2-27: Sinusoidal half-wave 50 g / 11 ms

**Vibration resistance:** According to IEC 60068-2-6: 20 ... 500 Hz: 5 g

**Climate resistance:** During operation according to IEC 60721: 3K6, 3C3, 3S2, 3M6

### CERTIFICATE

**REACH:** REACH compliant

**RoHS:** RoHS compliant

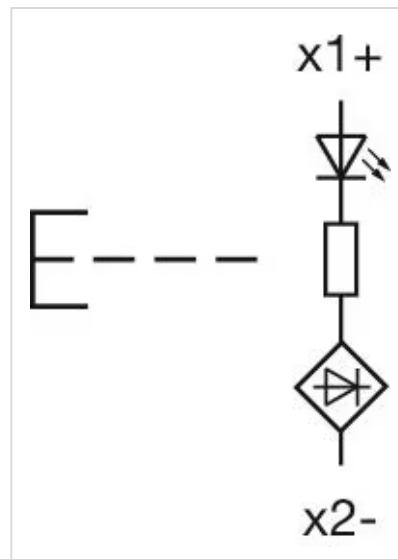
### OTHER

**Short Description:** Actuator, Ø 22.3 mm, Ø 30 mm, Mushroom-head, Illuminated, Green, Plastic, transparent, Round, Black, Plastic, Momentary, IP66, IP67, IP69K

**Housing colour:** Black

**Housing material:** Plastic

**Wiring diagrams:**



**Mounting cut-outs:**



Dimension drawings:

