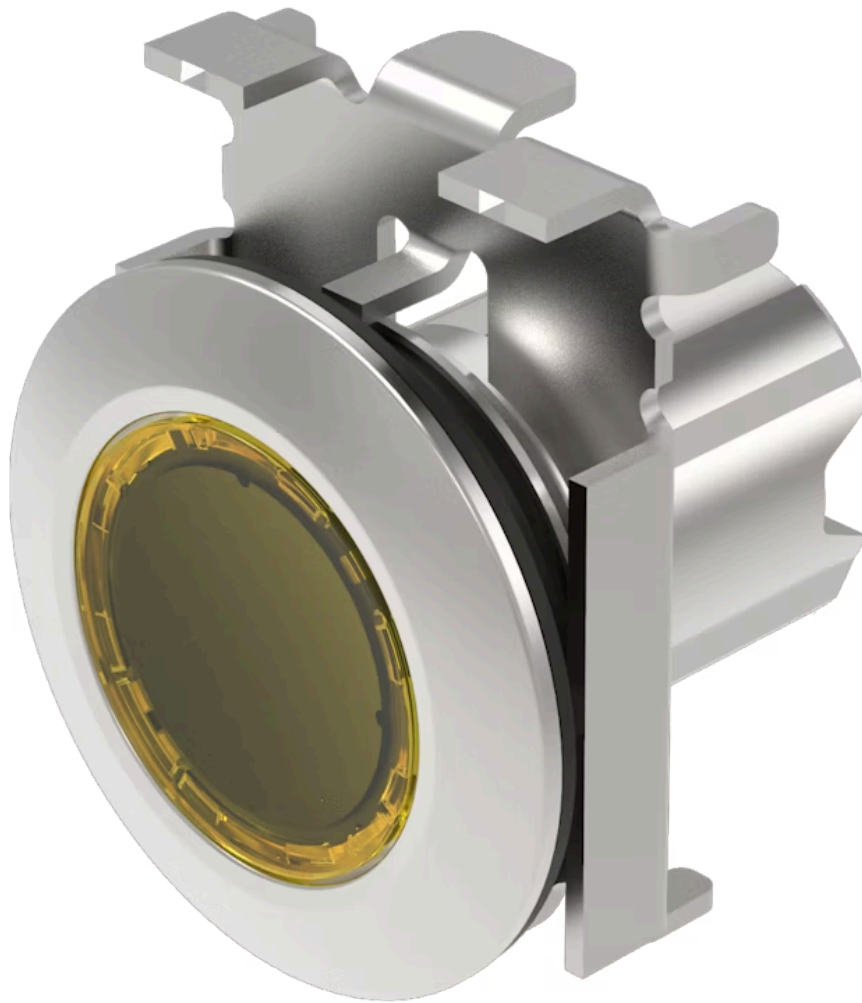


# Actuator

45-  
2234.4FG0.000

Distribution by  
DigiKey

**DigiKey**



<https://digikey.eao.com/component/45-2234.4FG...>

Your product:

---



## 45-2234.4FG0.000 Actuator

*Loading ...*

### FRONT

<b>Front dimension:</b>	Ø 38 mm
<b>Front form:</b>	Round
<b>Front bezel colour:</b>	Sand grey
<b>Front bezel material:</b>	Metal

### MOUNTING

<b>Design:</b>	Flush
<b>Mounting cut-out:</b>	Ø 30.5 mm
<b>Mounting type:</b>	Panel mounting

### OPERATING-/INDICATION PART

<b>Lens colour:</b>	Yellow
<b>Lens material:</b>	Plastic
<b>Lens illumination:</b>	Illuminated
<b>Lens shape:</b>	Flush
<b>Lens optics:</b>	transparent
<b>Illumination colour:</b>	Yellow

### MECHANICAL CHARACTERISTICS

<b>Switching action:</b>	Maintained
<b>Switching system:</b>	Slow-make switching element
<b>Mechanical lifetime:</b>	500 000 cycles of operation

**Operating frequency:** Max. 1 800/h

**Weight:** 0.072 kg

### AMBIENT CONDITION

**IP front protection:** IP66, IP67, IP69K

**Operating temperature:** - 25 °C ... + 70 °C

**Storage temperature:** - 40 °C ... + 80 °C

**Shock resistance:** According to IEC 60068-2-27: Sinusoidal half-wave 50 g / 11 ms

**Vibration resistance:** According to IEC 60068-2-6: 20 ... 500 Hz: 5 g

**Climate resistance:** During operation according to IEC 60721: 3K6, 3C3, 3S2, 3M6

### CERTIFICATE

**REACH:** REACH compliant

**RoHS:** RoHS compliant

### OTHER

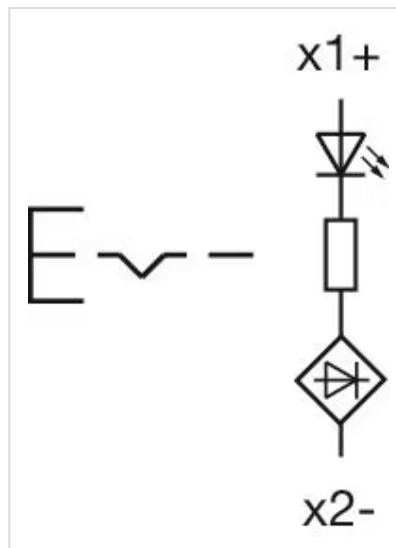
**Short Description:** Actuator, Ø 30.5 mm, Ø 38 mm, Flush, Illuminated, Yellow, Plastic, transparent, Round, Sand grey, Metal, Maintained, IP66, IP67, IP69K, Yellow

**Housing colour:** Silver

**Housing material:** Metal

**Hints:** Push to unlatch

**Wiring diagrams:**



**Dimension drawings:**

