

PCB plug-in base

31-940

Distribution by
DigiKey

DigiKey

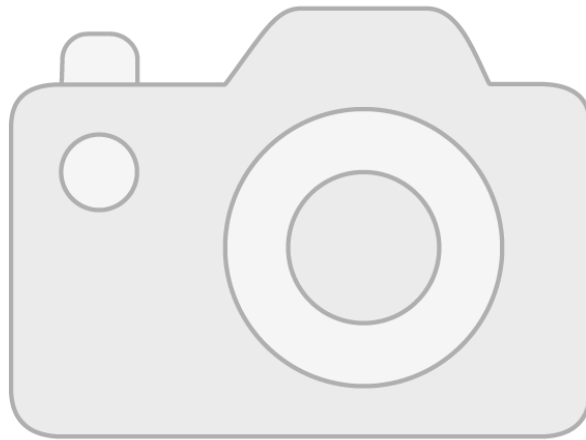
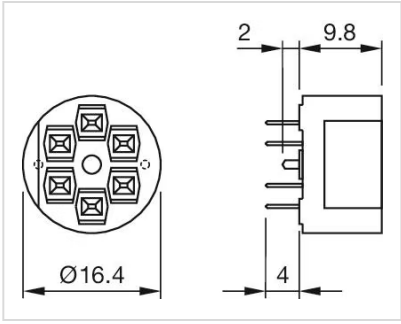


Image not available



<https://digikey.eao.com/component/31-940/en/p...>



for Part No. 31-940