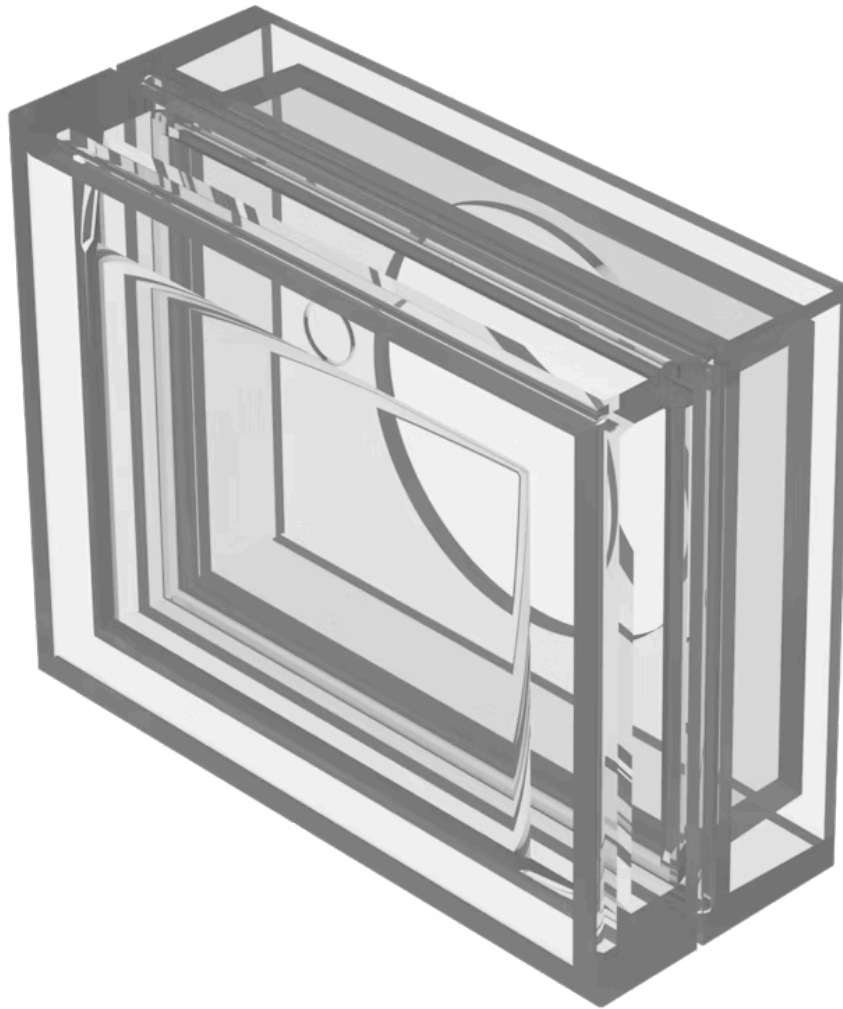


Front protective cap

31-924.2

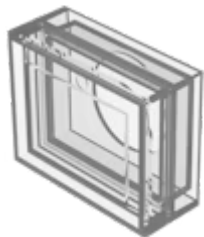
Distribution by
DigiKey

DigiKey



<https://digikey.eao.com/component/31-924.2/en...>

Your product:



31-924.2 Front protective cap

Loading ...

FRONT

Colour: Colourless

ELECTRICAL CHARACTERISTICS

Forward voltage:

MECHANICAL CHARACTERISTICS

Weight: 0.004 kg

OTHER

Short Description: Front protective cap, 30 mm x 24 mm, 24 mm x 18 mm, transparent, Colourless

Titel Accessory: Front protective cap

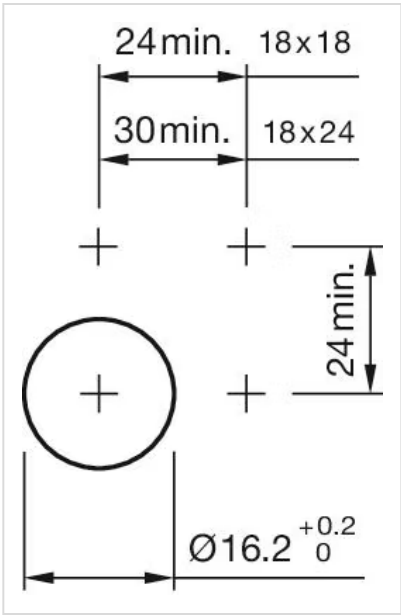
Dimension: 30 mm x 24 mm

Internal size: 24 mm x 18 mm

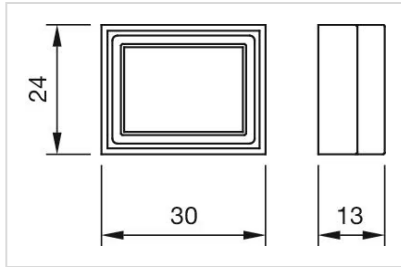
Product attributes: Two-part

Optics: transparent

Mounting cut-outs:



Dimension drawings:



for Part No. 31-924.2