

Actuator

31-
801.002

Distribution by
DigiKey

DigiKey



<https://digikey.eao.com/component/31-801.002/...>

Your product:



31-801.002 Actuator

Loading . . .

FRONT

Front dimension:	24 mm x 18 mm
Front form:	Rectangular
Front bezel colour:	Black
Front bezel material:	Plastic

MOUNTING

Design:	Raised
Mounting cut-out:	Ø 16 mm
Mounting type:	Panel mounting

ELECTRICAL CHARACTERISTICS

Switching voltage and switching current:	Typ. 10 VDC ... 26 VDC, ≤ 20mA
Operating voltage:	10 - 26 V DC

MECHANICAL CHARACTERISTICS

Terminal:	Plug-in terminal, 2.8 x 0.5 mm
Tightening torque:	Fixing nut max. 0.5 Nm
Weight:	0.009 kg

ACOUSTICAL CHARACTERISTICS

Tone frequency: ca. 2.0 kHz
Sound pressure: 88dB (A) ±8dB at a distance of 0.1m

AMBIENT CONDITION

IP Protection: IP40
Operating temperature: - 25 °C ... + 55 °C
Storage temperature: - 40 °C ... + 85 °C

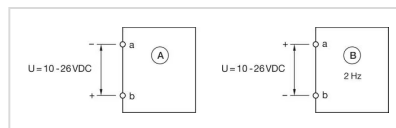
CERTIFICATE

Approbations: DNV
Conformities: CE, UKCA, 2011 / 65 / EC (RoHS), 2014 / 35 / EU (LVD)
REACH: REACH compliant
RoHS: RoHS compliant

OTHER

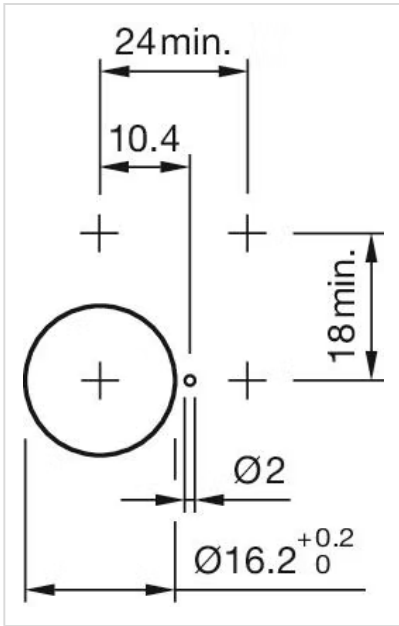
Short Description: Actuator, Ø 16 mm, 24 mm x 18 mm, Rectangular, Black, Plastic, Plug-in terminal, 2.8 x 0.5 mm
Housing colour: Black
Housing material: Plastic
Product attributes: Further information see Technical data
Buzzer system: Electronic non-contacting buzzer with IC oscillator

Wiring diagrams:

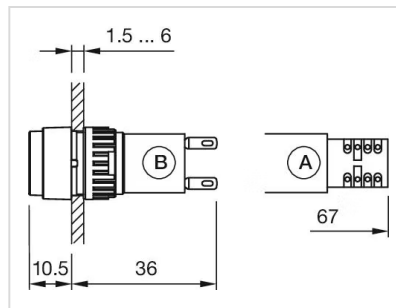


A = Continuous tone
B = Interval tone 2Hz

Mounting cut-outs:



Dimension drawings:



A = Solder terminal
 B = Plug-in terminal 2.8 mm x 0.5 mm