

# Actuator

31-  
050.005

Distribution by  
DigiKey

**DigiKey**



<https://digikey.eao.com/component/31-050.005/...>

Your product:

---



## 31-050.005 Actuator

*Loading ...*

### PRODUCT RANGE

**Product Status:** Not Recommended for new design

### FRONT

**Front dimension:** 18 mm x 18 mm

**Front form:** Square

**Front bezel colour:** Black

**Front bezel material:** Plastic

### MOUNTING

**Design:** Raised

**Mounting cut-out:** Ø 16 mm

**Mounting type:** Panel mounting

### MECHANICAL CHARACTERISTICS

**Terminal:** Soldering terminal

**Weight:** 0.004 kg

### CERTIFICATE

**REACH:** REACH compliant

**RoHS:** RoHS compliant

### OTHER

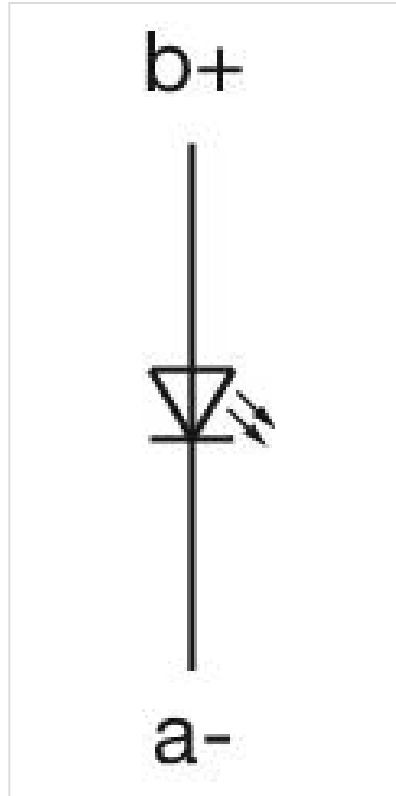
**Short Description:** Actuator, Ø 16 mm, 18 mm x 18 mm, Square, Black, Plastic, Soldering terminal

**Internal size:** 15,3 mm x 15,3 mm

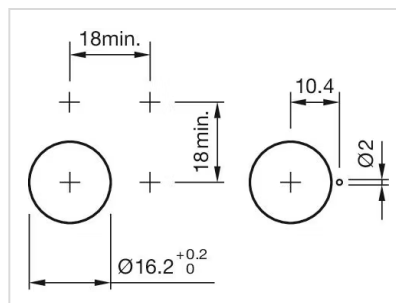
**Housing colour:** Black

**Housing material:** Plastic

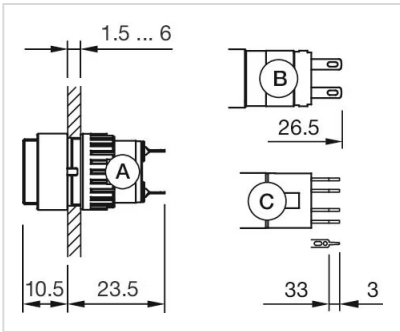
**Wiring diagrams:**



**Mounting cut-outs:**



**Dimension drawings:**



- A = Solder terminal
- B = Plug-in terminal 2.8 mm x 0.5 mm
- C = Universal terminal 2.0 mm x 0.5 mm