

Actuator

31-
050.002

Distribution by
DigiKey

DigiKey



<https://digikey.eao.com/component/31-050.002/...>

Your product:



31-050.002 Actuator

Loading ...

PRODUCT RANGE

Product Status: Not Recommended for new design

FRONT

Front dimension: 18 mm x 18 mm

Front form: Square

Front bezel colour: Black

Front bezel material: Plastic

MOUNTING

Design: Raised

Mounting cut-out: Ø 16 mm

Mounting type: Panel mounting

MECHANICAL CHARACTERISTICS

Terminal: Plug-in terminal, 2.8 x 0.5 mm

Weight: 0.004 kg

CERTIFICATE

REACH: REACH compliant

RoHS: RoHS compliant

OTHER

Short Description:

Actuator, \varnothing 16 mm, 18 mm x 18 mm, Square, Black, Plastic, Plug-in terminal, 2.8 x 0.5 mm

Internal size:

15,3 mm x 15,3 mm

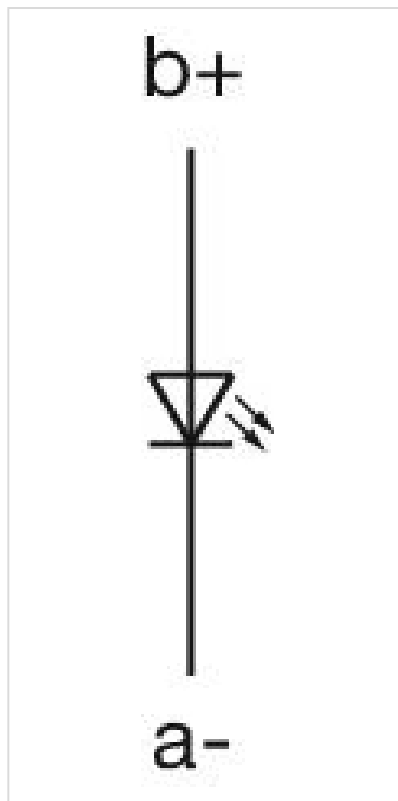
Housing colour:

Black

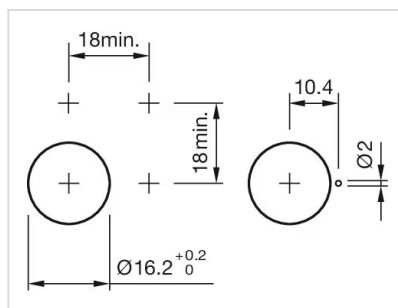
Housing material:

Plastic

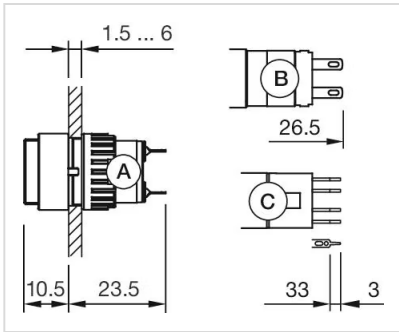
Wiring diagrams:



Mounting cut-outs:



Dimension drawings:



- A = Solder terminal
- B = Plug-in terminal 2.8 mm x 0.5 mm
- C = Universal terminal 2.0 mm x 0.5 mm