

Actuator

31-
041.006

Distribution by
DigiKey

DigiKey



<https://digikey.eao.com/p/31-041.006>

Your product:



31-041.006 Actuator

FRONT

Front dimension:	24 mm x 18 mm
Front form:	rectangular
Front bezel colour:	Black
Front bezel material:	Plastic

MOUNTING

Design:	raised
Mounting cut-out:	Ø 16 mm
Mounting type:	Panel mounting

MECHANICAL CHARACTERISTIC

Terminal:	Universal terminal, 2 x 0.5 mm
Weight:	0.005 kg

CERTIFICATE

REACH:	REACH compliant
RoHS:	RoHS compliant

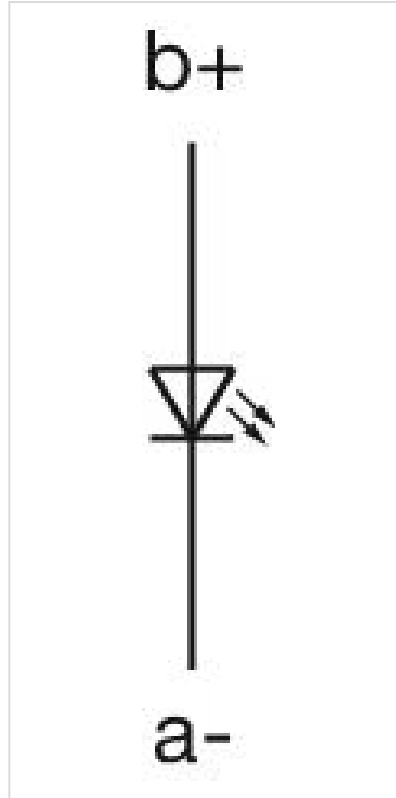
OTHER

Short Description:	Actuator, Ø 16 mm, 24 mm x 18 mm, rectangular, Black, Plastic, Universal terminal, 2 x 0.5 mm
Internal size:	21,5 mm x 15,3 mm
Housing colour:	Black

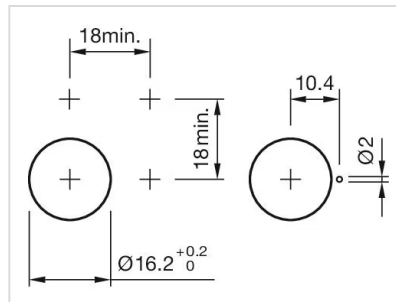
Housing material:

Plastic

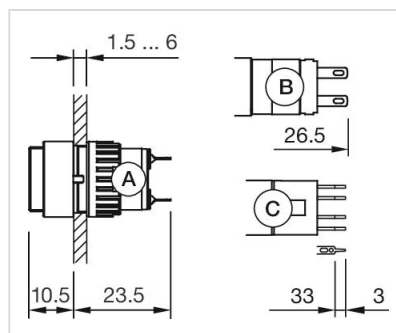
Wiring diagrams:



Mounting cut-outs:



Dimension drawings:



A = Solder terminal

B = Plug-in terminal 2.8 mm x 0.5 mm

C = Universal terminal 2.0 mm x 0.5 mm