

Actuator

19-
279.015

Distribution by
DigiKey

DigiKey



<https://digikey.eao.com/component/19-279.015/...>

Your product:



19-279.015 Actuator

FRONT

| | |
|------------------------------|---------|
| Front dimension: | Ø 9 mm |
| Front form: | Round |
| Front bezel colour: | Black |
| Front bezel material: | Plastic |

MOUNTING

| | |
|--------------------------|----------------|
| Design: | Raised |
| Mounting cut-out: | Ø 8 mm |
| Mounting type: | Panel mounting |

OPERATING-/INDICATION PART

| | |
|---------------------------|-------------|
| Lens illumination: | Illuminated |
|---------------------------|-------------|

ELECTRICAL CHARACTERISTICS

| | |
|---|---|
| Switching voltage and switching current: | Silver plated 50 VAC, 0.8 A/72 VDC, 0.7 A Gold plated 50 VAC, 100 mA/72 VDC, 70 mA |
| Contacts: | 1 NO |
| Switching rating: | 50 V @ 0,8 A |
| Electric strength: | 2500 VAC, 50 Hz, 1 minute, as per IEC 60512-2-11 between all terminals and earth |

MECHANICAL CHARACTERISTICS

| | |
|-----------------------------|---|
| Terminal: | Plug-in terminal, 2 x 0.5 mm |
| Contact material: | Silver |
| Switching action: | Maintained |
| Switching system: | Snap-action switching element |
| Switching system: | Single-break, snap-action switching system with 1 normally open contact |
| Mechanical lifetime: | 2 Mil. cycles of operation |
| Operating force: | 1.6 N |
| Operating Travel: | ca. 2.8 mm ± 0.2 mm |
| Tightening torque: | Fixing nut max. 0.2 Nm |
| Wire cross section: | Max. wire diameter 2 wires à 0.8 mm Max. wire cross-section of stranded cable 1 x 0.75 mm ² |
| Weight: | 0.002 kg |

AMBIENT CONDITION

| | |
|-------------------------------|--|
| IP Protection: | IP40 front side, according to DIN EN 60529 |
| Operating temperature: | - 25 °C ... + 45 °C with filament lamp, - 25 °C ... + 65 °C with LED, - 25 °C ... + 65 °C without illumination, mounted as a block, make sure the heat can escape freely |
| Storage temperature: | - 40 °C ... + 85 °C |

CERTIFICATE

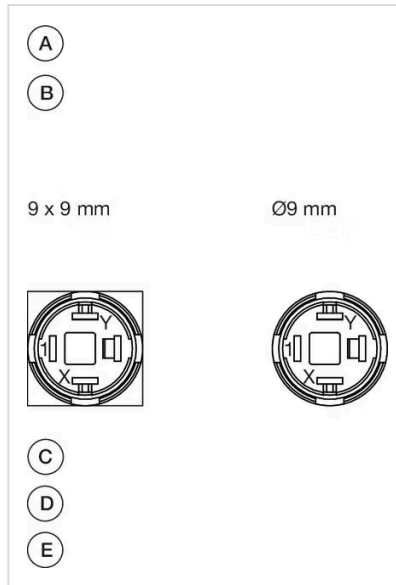
| | |
|----------------------|-----------------------|
| Conformities: | 2011 / 65 / EC (RoHS) |
| REACH: | REACH compliant |
| RoHS: | RoHS compliant |

OTHER

| | |
|---------------------------|--|
| Short Description: | Actuator, Ø 8 mm, Ø 9 mm, Illuminated, Round, Black, Plastic, 1 NO, Maintained, Plug-in terminal, 2 x 0.5 mm |
| Internal size: | Ø 7,3 mm |
| Housing colour: | Black |
| Housing material: | Plastic |
| Wiring diagrams: | |



Component layouts:



- A = Terminals (rear side)
- B = Illuminated pushbutton
- C = x = Contact No.
- D = 2 = Normally open
- E = 4 = Normally close

Mounting cut-outs:



Dimension drawings:

