

Actuator

18-
080.0054L

Distribution by
DigiKey

DigiKey



<https://digikey.eao.com/p/18-080.0054L>

Your product:



18-080.0054L Actuator

FRONT

Front form:	square
Front bezel material:	Plastic
Front dimension:	19 mm x 19 mm
Front bezel colour:	Black

MOUNTING

Design:	flush
----------------	-------

OPERATING-/INDICATION PART

Lens material:	Plastic
Lens optics:	translucent
Lens colour:	Yellow
Illumination colour:	White
Lens shape:	flush
Lens illumination:	illuminative

ELECTRICAL CHARACTERISTICS

Operating voltage:	Customer specific
---------------------------	-------------------

MECHANICAL CHARACTERISTIC

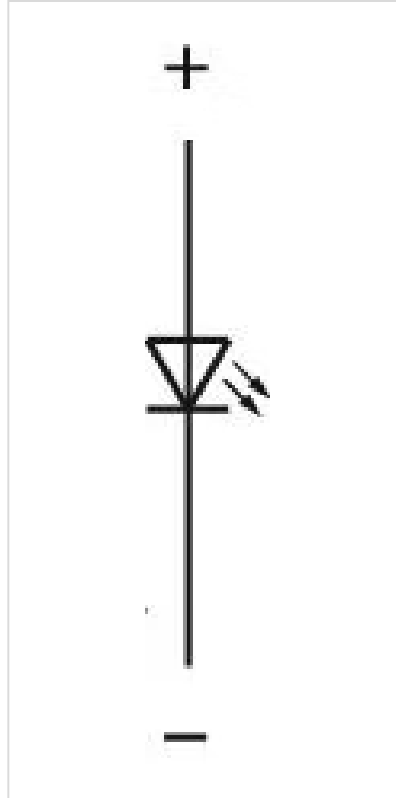
Terminal:	Soldering terminal
Weight:	0.003 kg

OTHER

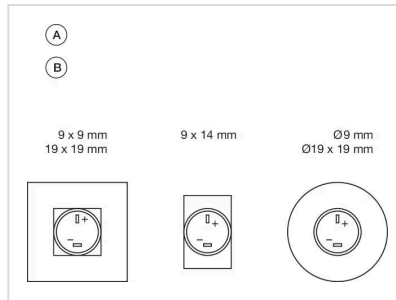
Dimension: 13.8 mm x 13.8 mm

Short Description: Actuator, 19 mm x 19 mm, flush, illuminative, Yellow, Plastic, translucent, square, Black, Plastic, Soldering terminal, White

Wiring diagrams:

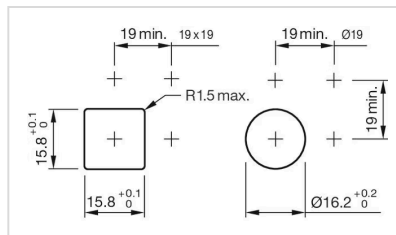


Component layouts:



A = Terminals (rear side)
B = Indicator

Mounting cut-outs:



Dimension drawings:

