

Indicator

17-500431

Distribution by
DigiKey

DigiKey



<https://digikey.eao.com/component/17-500431/e...>

Your product:



17-500431 Indicator

FRONT

| | |
|-------------------------|---|
| Front dimension: | Ø 9,5 mm |
| Front form: | Round |
| Reflector: | Metal, polished chromium-plated, internal |

MOUNTING

| | |
|--------------------------|----------------|
| Design: | Raised |
| Mounting cut-out: | Ø 8 mm |
| Mounting type: | Panel mounting |

OPERATING-/INDICATION PART

| | |
|-----------------------------|-------|
| Lens: | round |
| Illumination colour: | Green |

ELECTRICAL CHARACTERISTICS

| | |
|---------------------------|---|
| Operating voltage: | 230 V AC ±10 % |
| Operation current: | 3 mA ±15 % |
| Lumi. Intensity: | 5 mcd |
| Polarity: | Anode (+) Brass plug-in connector Cathode (-) Brass tinned plug-in connector |

MECHANICAL CHARACTERISTICS

| | |
|---------------------------|--------------------------------|
| Terminal: | Plug-in terminal, 2.8 x 0.8 mm |
| Tightening torque: | Fixing nut max. 0.2 Nm |

Weight: 0.005 kg

AMBIENT CONDITION

IP Protection: IP40 front side, IP65 front side, according to IEC 60529

Operating temperature: – 20 °C ... + 60 °C

Storage temperature: – 25 °C ... + 80 °C

CERTIFICATE

Approbations: UL

Conformities: 2011 / 65 / EC (RoHS), 2014 / 35 / EU (230 VAC)

REACH: REACH compliant

RoHS: RoHS compliant

OTHER

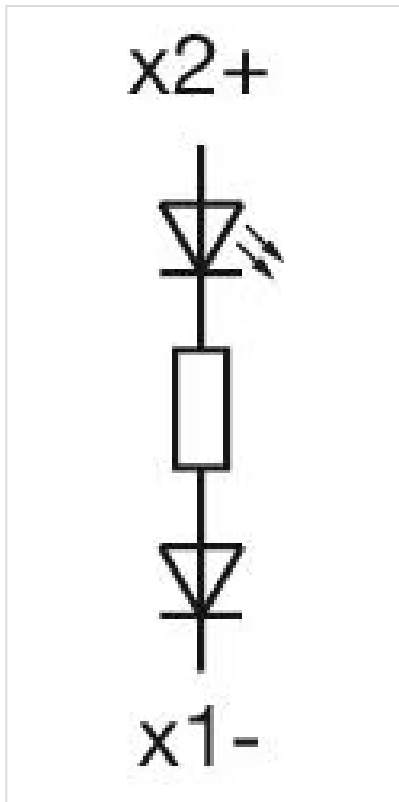
Short Description: Indicator, Ø 8 mm, Ø 9,5 mm, Round, Plug-in terminal, 2.8 x 0.8 mm, Green

Kind of illumination: Single-LED

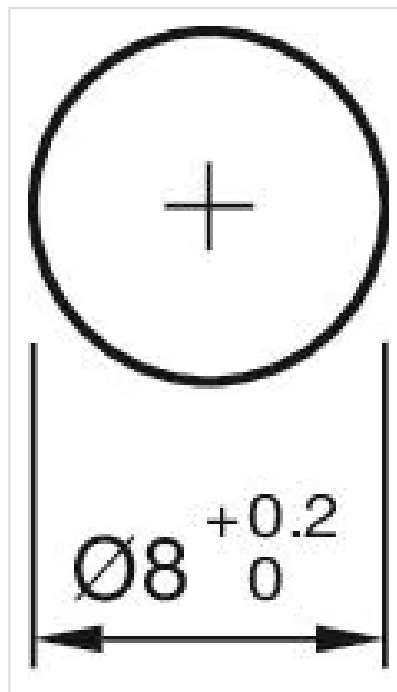
Product attributes: With terminals protection tube

Hints: Connectors: Brass terminal = anode (+); brass tinned terminal = cathode (-)
IP67 front side gap between LED and reflector and gap between reflector and frontplate sealed to IP67 when using the supplied gasket.
The plastic is limited resistant to chemicals.

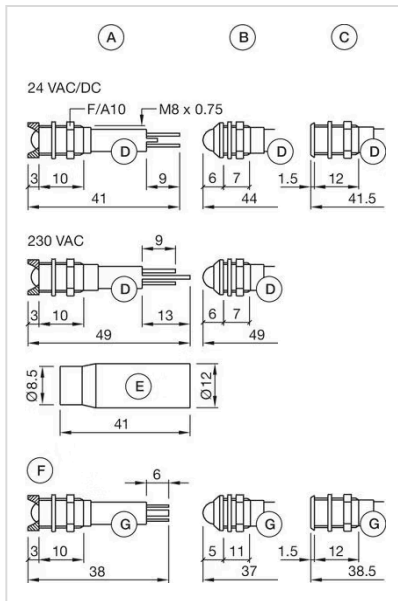
Wiring diagrams:



Mounting cut-outs:



Dimension drawings:



- A = interior
- B = exterior
- C = superflat
- D = Plug-in terminal 2.8 mm x 0.8 mm
- E = Multi-colour
- F = Protection tube
- G = Plug-in terminal 2.0 mm x 0.5 mm