

# Actuator

17-  
411237Z

Distribution by  
DigiKey

**DigiKey**



<https://digikey.eao.com/p/17-411237Z>

Your product:

---



## 17-411237Z Actuator

### FRONT

<b>Front form:</b>	round
<b>Reflector:</b>	Plastic, Black
<b>Front dimension:</b>	Ø 18,3 mm

### MOUNTING

<b>Design:</b>	raised
<b>Mounting cut-out:</b>	Ø 16.2 mm

### OPERATING-/INDICATION PART

<b>Illumination colour:</b>	Blue
-----------------------------	------

### ELECTRICAL CHARACTERISTICS

<b>Lumi. Intensity:</b>	150 mcd
<b>Operating voltage:</b>	230 V AC ±10 %
<b>Polarity:</b>	Anode (+) Brass plug-in connector Cathode (-) Brass tinned plug-in connector
<b>Operation current:</b>	3 mA ±15 %

### MECHANICAL CHARACTERISTIC

<b>Terminal:</b>	Plug-in terminal, 2.8 x 0.8 mm
<b>Tightening torque:</b>	Fixing nut max. 0.2 Nm
<b>Weight:</b>	0.008 kg

## AMBIENT CONDITION

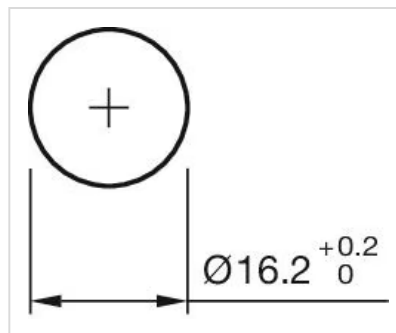
<b>IP Protection:</b>	IP40 front side, IP65 front side, according to IEC 60529
<b>Storage temperature:</b>	- 25 °C ... + 80 °C
<b>Operating temperature:</b>	- 20 °C ... + 60 °C

## CERTIFICATE

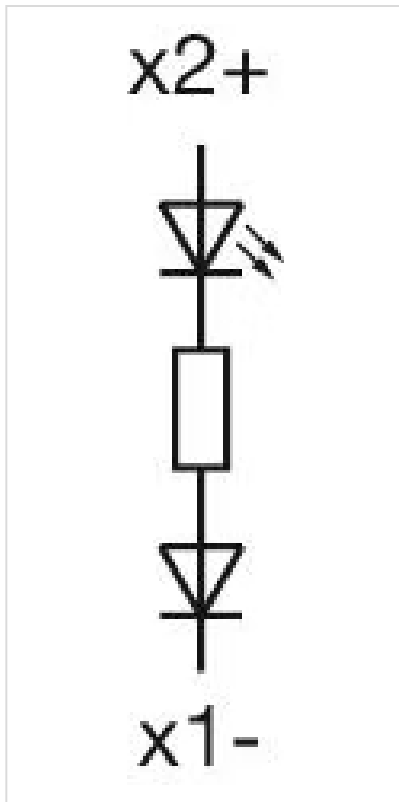
<b>Approbations:</b>	UL
<b>Conformities:</b>	2011 / 65 / EC (RoHS), 2014 / 35 / EU (230 VAC)

## OTHER

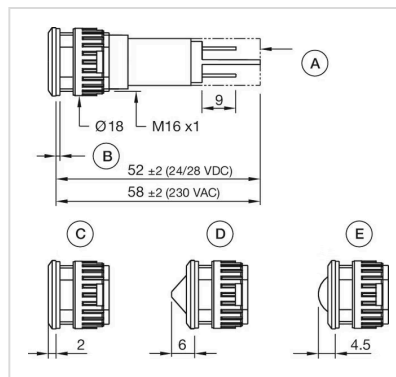
<b>Short Description:</b>	Actuator, Ø 16.2 mm, Ø 18,3 mm, round, Plug-in terminal, 2.8 x 0.8 mm, Blue
<b>Hints:</b>	Connectors: Brass terminal = anode (+); brass tinned terminal = cathode (-), IP67 front side gap between LED and reflector and gap between reflector and frontplate sealed to IP67 when using the supplied gasket., The plastic is limited resistant to chemicals.
<b>Kind of illumination:</b>	Single-LED
<b>Mounting cut-outs:</b>	



**Wiring diagrams:**



**Dimension drawings:**



- A = Protection tube (only 230 VAC)
- B = 1 gasket
- C = flat
- conical
- D = round