

# Indicator

17-  
411231Z

Distribution by  
DigiKey

**DigiKey**



<https://digikey.eao.com/component/17-411231Z/...>

Your product:

---



## 17-411231Z Indicator

*Loading ...*

### FRONT

<b>Front dimension:</b>	Ø 18,3 mm
<b>Front form:</b>	Round
<b>Reflector:</b>	Plastic, Black

### MOUNTING

<b>Design:</b>	Raised
<b>Mounting cut-out:</b>	Ø 16.2 mm
<b>Mounting type:</b>	Panel mounting

### OPERATING-/INDICATION PART

<b>Lens:</b>	flush
<b>Illumination colour:</b>	Green

### ELECTRICAL CHARACTERISTICS

<b>Operating voltage:</b>	230 V AC ±10 %
<b>Operation current:</b>	3 mA ±15 %
<b>Lumi. Intensity:</b>	120 mcd
<b>Polarity:</b>	Anode (+) Brass plug-in connector Cathode (-) Brass tinned plug-in connector

### MECHANICAL CHARACTERISTICS

<b>Terminal:</b>	Plug-in terminal, 2.8 x 0.8 mm
<b>Tightening torque:</b>	Fixing nut max. 0.2 Nm

**Weight:** 0.008 kg

### **AMBIENT CONDITION**

**IP Protection:** IP40 front side, IP65 front side, according to IEC 60529

**Operating temperature:** – 20 °C ... + 60 °C

**Storage temperature:** – 25 °C ... + 80 °C

### **CERTIFICATE**

**Approbations:** UL

**Conformities:** 2011 / 65 / EC (RoHS), 2014 / 35 / EU (230 VAC)

**REACH:** REACH compliant

**RoHS:** RoHS compliant

### **OTHER**

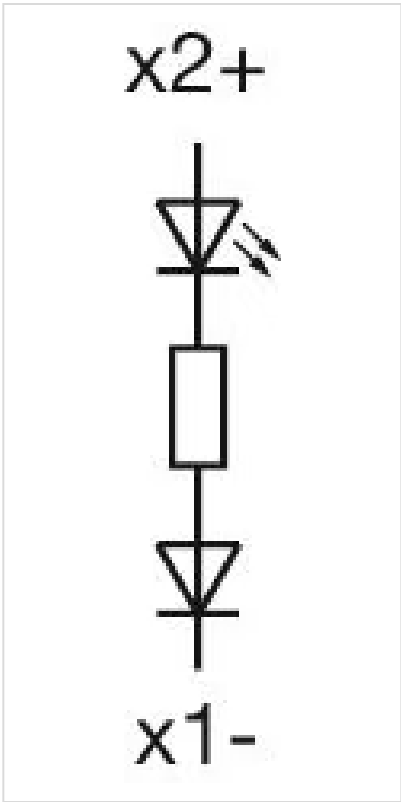
**Short Description:** Indicator, Ø 16.2 mm, Ø 18,3 mm, Round, Plug-in terminal, 2.8 x 0.8 mm, Green

**Kind of illumination:** Single-LED

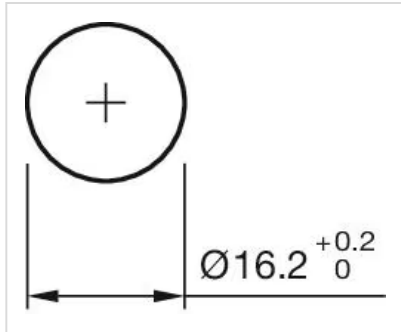
**Product attributes:** With terminals protection tube

**Hints:** Connectors: Brass terminal = anode (+); brass tinned terminal = cathode (-)  
IP67 front side gap between LED and reflector and gap between reflector and frontplate sealed to IP67 when using the supplied gasket.  
The plastic is limited resistant to chemicals.

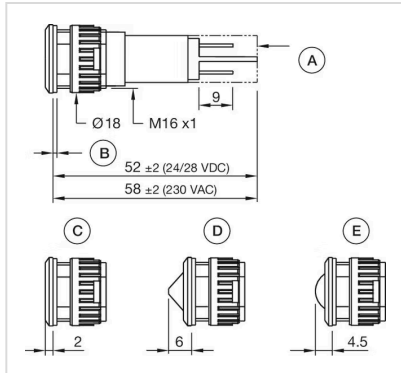
**Wiring diagrams:**



**Mounting cut-outs:**



**Dimension drawings:**



- A = Protection tube (only 230 VAC)
- B = 1 gasket
- C = flat conical
- D = round

