

# Actuator

17-  
401230Z

Distribution by  
DigiKey

**DigiKey**



<https://digikey.eao.com/p/17-401230Z>

Your product:

---



## 17-401230Z Actuator

### FRONT

<b>Front form:</b>	round
<b>Reflector:</b>	Plastic, Black
<b>Front dimension:</b>	Ø 18,3 mm

### MOUNTING

<b>Design:</b>	raised
<b>Mounting cut-out:</b>	Ø 16.2 mm

### OPERATING-/INDICATION PART

<b>Lens:</b>	round
<b>Illumination colour:</b>	Red

### ELECTRICAL CHARACTERISTICS

<b>Lumi. Intensity:</b>	240 mcd
<b>Operation current:</b>	3 mA ±15 %
<b>Polarity:</b>	Anode (+) Brass plug-in connector Cathode (-) Brass tinned plug-in connector
<b>Operating voltage:</b>	230 V AC ±10 %

### MECHANICAL CHARATERISTIC

**Terminal:** Plug-in terminal, 2.8 x 0.8 mm

**Weight:** 0.008 kg

**Tightening torque:** Fixing nut max. 0.2 Nm

**AMBIENT CONDITION**

**Storage temperature:** - 25 °C ... + 80 °C

**IP Protection:** IP40 front side, IP65 front side, according to IEC 60529

**Operating temperature:** - 20 °C ... + 60 °C

**CERTIFICATE**

**Conformities:** 2011 / 65 / EC (RoHS), 2014 / 35 / EU (230 VAC)

**Approbations:** UL

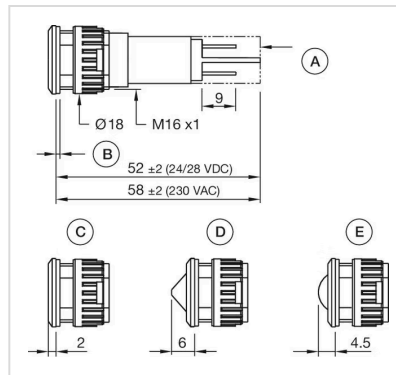
**OTHER**

**Hints:** Connectors: Brass terminal = anode (+); brass tinned terminal = cathode (-), IP67 front side gap between LED and reflector and gap between reflector and frontplate sealed to IP67 when using the supplied gasket., The plastic is limited resistant to chemicals.

**Short Description:** Actuator, Ø 16.2 mm, Ø 18,3 mm, round, Plug-in terminal, 2.8 x 0.8 mm, Red

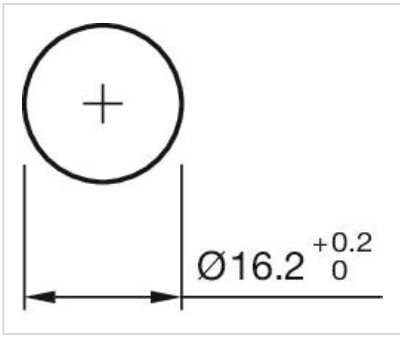
**Kind of illumination:** Single-LED

**Dimension drawings:**



A = Protection tube (only 230 VAC)  
 B = 1 gasket  
 C = flat  
 conical  
 D = round

**Mounting cut-outs:**



Wiring diagrams:

