

Indicator

17-
391351Z

Distribution by
DigiKey

DigiKey



<https://digikey.eao.com/component/17-391351Z/...>

Your product:



17-391351Z Indicator

Loading ...

FRONT

Front dimension:	Ø 18,3 mm
Front form:	Round
Reflector:	Plastic, Black

MOUNTING

Design:	Raised
Mounting cut-out:	Ø 16.2 mm
Mounting type:	Panel mounting

OPERATING-/INDICATION PART

Lens:	conical
Illumination colour:	Green

ELECTRICAL CHARACTERISTICS

Operating voltage:	24 V DC ±10 %
Operation current:	16 mA ±15 %
Lumi. Intensity:	820 mcd
Polarity:	Anode (+) Brass plug-in connector Cathode (-) Brass tinned plug-in connector

MECHANICAL CHARACTERISTICS

Terminal:	Plug-in terminal, 2.8 x 0.8 mm
Tightening torque:	Fixing nut max. 0.2 Nm

Weight: 0.007 kg

AMBIENT CONDITION

IP Protection: IP40 front side, IP65 front side, according to IEC 60529

Operating temperature: - 20 °C ... + 60 °C

Storage temperature: - 25 °C ... + 80 °C

CERTIFICATE

Approbations: UL

Conformities: 2011 / 65 / EC (RoHS), 2014 / 35 / EU (230 VAC)

REACH: REACH compliant

RoHS: RoHS compliant

OTHER

Short Description: Indicator, Ø 16.2 mm, Ø 18,3 mm, Round, Plug-in terminal, 2.8 x 0.8 mm, Green

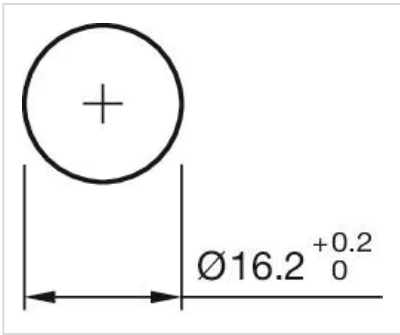
Kind of illumination: Single-LED

Hints: Connectors: Brass terminal = anode (+); brass tinned terminal = cathode (-)
IP67 front side gap between LED and reflector and gap between reflector and frontplate sealed to IP67 when using the supplied gasket.
The plastic is limited resistant to chemicals.

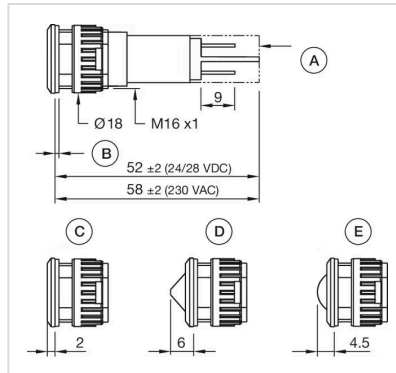
Wiring diagrams:



Mounting cut-outs:



Dimension drawings:



- A = Protection tube (only 230 VAC)
- B = 1 gasket
- C = flat
- conical
- D = round