

Indicator

17-120356

Distribution by
DigiKey

DigiKey



<https://digikey.eao.com/p/17-120356>

Your product:



17-120356 Indicator

FRONT

Front form:	round
Front dimension:	Ø 9,5 mm
Reflector:	Metal, polished chromium-plated, domed

MOUNTING

Mounting type:	Panel mounting
Design:	raised
Mounting cut-out:	Ø 8 mm

OPERATING-/INDICATION PART

Illumination colour:	Yellow / Green
-----------------------------	----------------

ELECTRICAL CHARACTERISTICS

Polarity:	Anode (+) Brass plug-in connector Cathode (-) Brass tinned plug-in connector
Operation current:	22 mA ±15 %
Operating voltage:	24 V DC
Lumi. Intensity:	20/15 mcd

MECHANICAL CHARATERISTIC

Tightening torque: Fixing nut max. 0.2 Nm
Weight: 0.005 kg
Terminal: Plug-in terminal, 2 x 0.5 mm

AMBIENT CONDITION

Storage temperature: - 25 °C ... + 80 °C
Operating temperature: - 20 °C ... + 60 °C
IP Protection: IP40 front side, IP65 front side, according to IEC 60529

CERTIFICATE

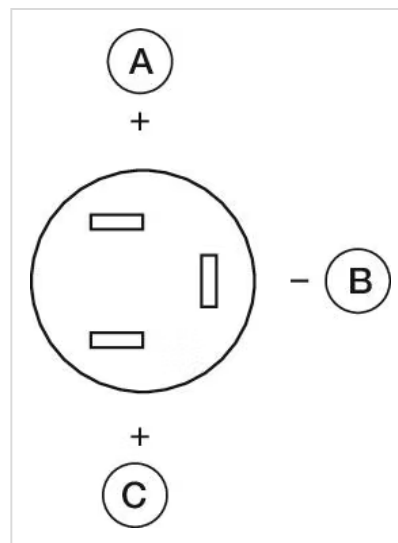
Conformities: 2011 / 65 / EC (RoHS), 2014 / 35 / EU (230 VAC)
Approbations: UL
RoHS: RoHS compliant
REACH: REACH compliant

OTHER

Kind of illumination: Bi-colour-LED

Hints: Connectors: Brass terminal = anode (+); brass tinned terminal = cathode (-), IP67 front side gap between LED and reflector and gap between reflector and frontplate sealed to IP67 when using the supplied gasket., The plastic is limited resistant to chemicals.

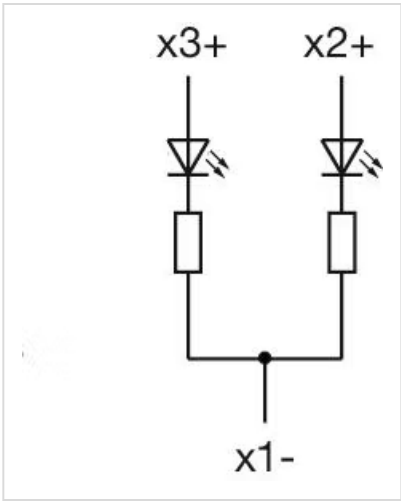
Component layouts:



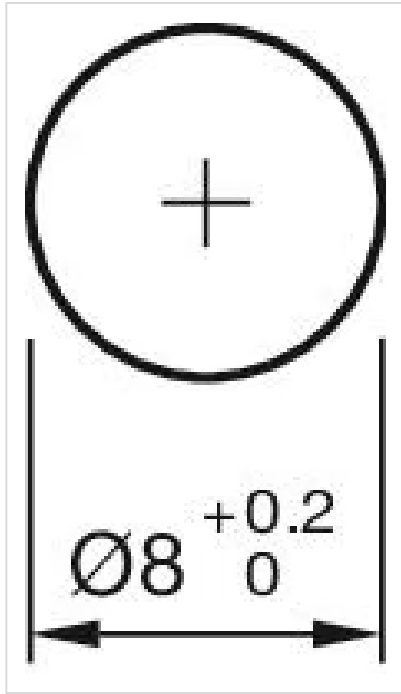
A = Yellow
B = common cathode
C = Green

Short Description: Indicator, Ø 8 mm, Ø 9,5 mm, round, Plug-in terminal, 2 x 0.5 mm, Yellow / Green

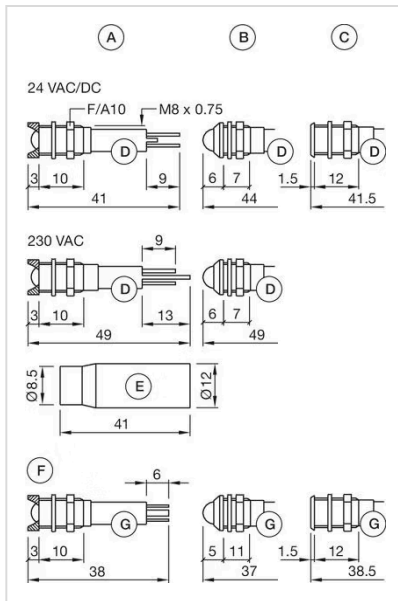
Wiring diagrams:



Mounting cut-outs:



Dimension drawings:



- A = interior
- B = exterior
- C = superflat
- D = Plug-in terminal 2.8 mm x 0.8 mm
- E = Multi-colour
- F = Protection tube
- G = Plug-in terminal 2.0 mm x 0.5 mm