

Actuator

17-120354

Distribution by
DigiKey

DigiKey



<https://digikey.eao.com/p/17-120354>

Your product:



17-120354 Actuator

FRONT

| | |
|-------------------------|--|
| Front form: | round |
| Front dimension: | Ø 9,5 mm |
| Reflector: | Metal, polished chromium-plated, domed |

MOUNTING

| | |
|--------------------------|--------|
| Design: | raised |
| Mounting cut-out: | Ø 8 mm |

OPERATING-/INDICATION PART

| | |
|-----------------------------|-------------|
| Illumination colour: | Red / Green |
|-----------------------------|-------------|

ELECTRICAL CHARACTERISTICS

| | |
|---------------------------|---|
| Polarity: | Anode (+) Brass plug-in connector Cathode (-) Brass tinned plug-in connector |
| Operation current: | 22 mA ±15 % |
| Lumi. Intensity: | 30/11 mcd |
| Operating voltage: | 24 V DC |

MECHANICAL CHARATERISTIC

| | |
|---------------------------|------------------------------|
| Weight: | 0.005 kg |
| Tightening torque: | Fixing nut max. 0.2 Nm |
| Terminal: | Plug-in terminal, 2 x 0.5 mm |

AMBIENT CONDITION

Operating temperature: - 20 °C ... + 60 °C

Storage temperature: - 25 °C ... + 80 °C

IP Protection: IP40 front side, IP65 front side, according to IEC 60529

CERTIFICATE

Conformities: 2011 / 65 / EC (RoHS), 2014 / 35 / EU (230 VAC)

Approbations: UL

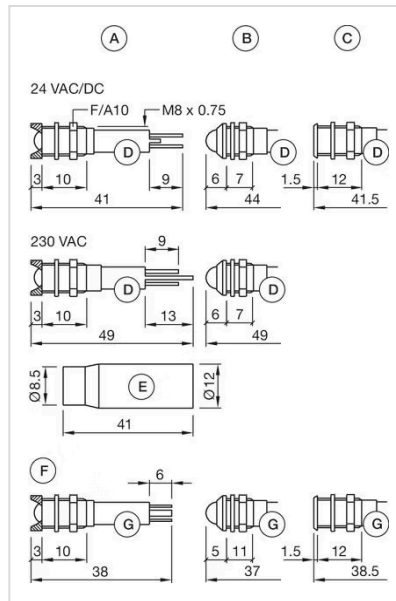
OTHER

Hints: Connectors: Brass terminal = anode (+); brass tinned terminal = cathode (-), IP67 front side gap between LED and reflector and gap between reflector and frontplate sealed to IP67 when using the supplied gasket., The plastic is limited resistant to chemicals.

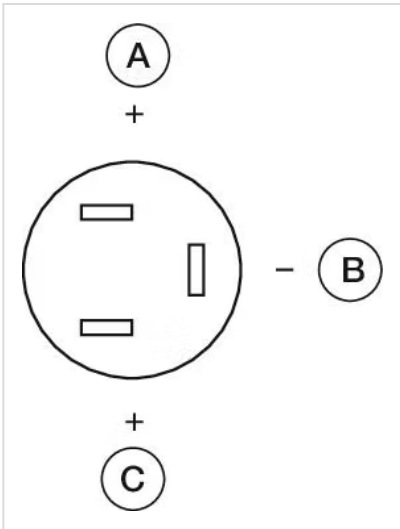
Short Description: Actuator, Ø 8 mm, Ø 9,5 mm, round, Plug-in terminal, 2 x 0.5 mm, Red / Green

Kind of illumination: Bi-colour-LED

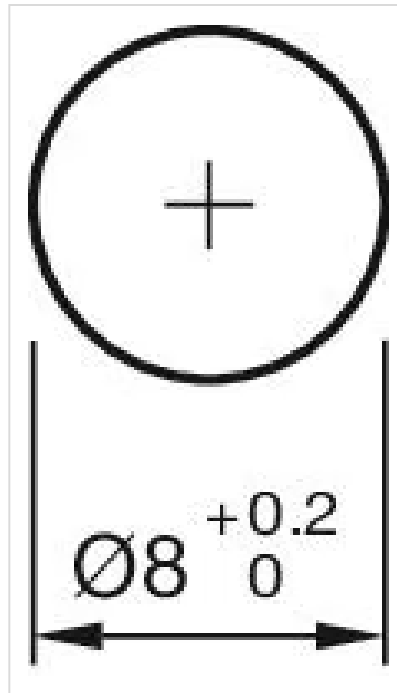
Dimension drawings:



Component layouts:



Mounting cut-outs:



Wiring diagrams:

