

Actuator

17-090355

Distribution by
DigiKey

DigiKey



<https://digikey.eao.com/p/17-090355>

Your product:



17-090355 Actuator

FRONT

Front form:	round
Reflector:	Metal, polished chromium-plated, internal
Front dimension:	Ø 9,5 mm

MOUNTING

Mounting cut-out:	Ø 8 mm
Design:	raised
Mounting type:	Panel mounting

OPERATING-/INDICATION PART

Illumination colour:	Green
-----------------------------	-------

ELECTRICAL CHARACTERISTICS

Polarity:	Anode (+) Brass plug-in connector Cathode (-) Brass tinned plug-in connector
Operation current:	9 mA ±15 %
Operating voltage:	24 - 17 V AC/DC ±10 %
Lumi. Intensity:	1300 mcd

MECHANICAL CHARATERISTIC

Terminal: Plug-in terminal, 2.8 x 0.8 mm

Tightening torque: Fixing nut max. 0.2 Nm

Weight: 0.005 kg

AMBIENT CONDITION

Storage temperature: - 25 °C ... + 80 °C

Operating temperature: - 20 °C ... + 60 °C

IP Protection: IP40 front side, IP65 front side, according to IEC 60529

CERTIFICATE

Conformities: 2011 / 65 / EC (RoHS), 2014 / 35 / EU (230 VAC)

Approbations: UL

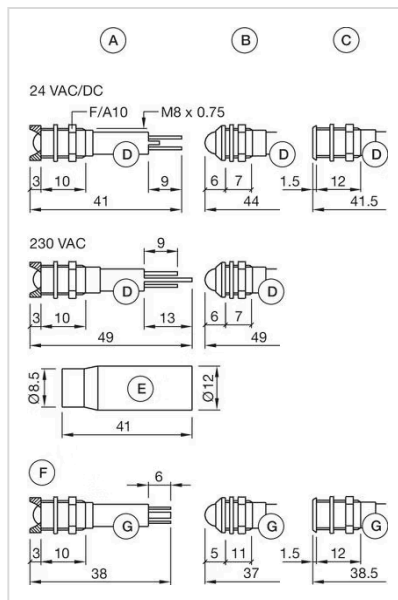
OTHER

Hints: Connectors: Brass terminal = anode (+); brass tinned terminal = cathode (-), IP67 front side gap between LED and reflector and gap between reflector and frontplate sealed to IP67 when using the supplied gasket., The plastic is limited resistant to chemicals.

Short Description: Actuator, Ø 8 mm, Ø 9,5 mm, round, Plug-in terminal, 2.8 x 0.8 mm, Green

Kind of illumination: Single-LED

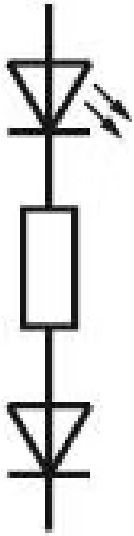
Dimension drawings:



A = interior
 B = exterior
 C = superflat
 D = Plug-in terminal 2.8 mm x 0.8 mm
 E = Multi-colour
 F = Protection tube
 G = Plug-in terminal 2.0 mm x 0.5 mm

Wiring diagrams:

x2+



x1-

Mounting cut-outs:

