

# Actuator

17-090352

Distribution by  
DigiKey

**DigiKey**



<https://digikey.eao.com/p/17-090352>

Your product:

---



## 17-090352 Actuator

### FRONT

|                         |   |
|-------------------------|---|
| <b>Front form:</b>      | round                                     |
| <b>Reflector:</b>       | Metal, polished chromium-plated, internal |
| <b>Front dimension:</b> | Ø 9,5 mm                                  |

### MOUNTING

|                          |                |
|--------------------------|----------------|
| <b>Mounting type:</b>    | Panel mounting |
| <b>Mounting cut-out:</b> | Ø 8 mm         |
| <b>Design:</b>           | raised         |

### OPERATING-/INDICATION PART

|                             |        |
|-----------------------------|--------|
| <b>Illumination colour:</b> | Yellow |
|-----------------------------|--------|

### ELECTRICAL CHARACTERISTICS

|                           |   |
|---------------------------|---|
| <b>Lumi. Intensity:</b>   | 1100 mcd  |
| <b>Polarity:</b>          | Anode (+) Brass plug-in connector<br>Cathode (-) Brass tinned plug-in connector |
| <b>Operating voltage:</b> | 24 - 17 V AC/DC ±10 %   |
| <b>Operation current:</b> | 9 mA ±15 %  |

### MECHANICAL CHARATERISTIC

**Terminal:** Plug-in terminal, 2.8 x 0.8 mm  
**Tightening torque:** Fixing nut max. 0.2 Nm  
**Weight:** 0.005 kg

### AMBIENT CONDITION

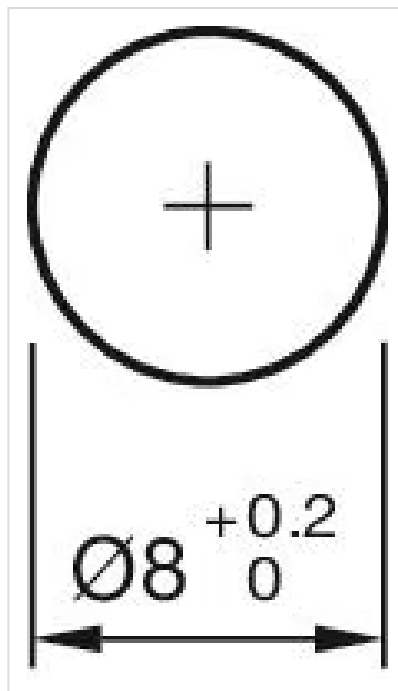
**Storage temperature:** - 25 °C ... + 80 °C  
**IP Protection:** IP40 front side, IP65 front side, according to IEC 60529  
**Operating temperature:** - 20 °C ... + 60 °C

### CERTIFICATE

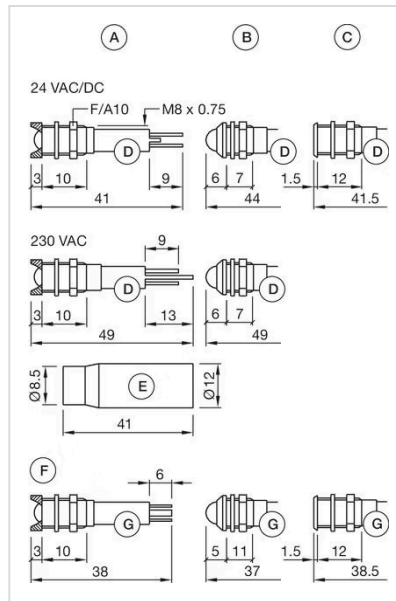
**Conformities:** 2011 / 65 / EC (RoHS), 2014 / 35 / EU (230 VAC)  
**Approbations:** UL

### OTHER

**Short Description:** Actuator, Ø 8 mm, Ø 9,5 mm, round, Plug-in terminal, 2.8 x 0.8 mm, Yellow  
**Hints:** Connectors: Brass terminal = anode (+); brass tinned terminal = cathode (-), IP67 front side gap between LED and reflector and gap between reflector and frontplate sealed to IP67 when using the supplied gasket., The plastic is limited resistant to chemicals.  
**Kind of illumination:** Single-LED  
**Mounting cut-outs:**



**Dimension drawings:**



- A = interior
- B = exterior
- C = superflat
- D = Plug-in terminal 2.8 mm x 0.8 mm
- E = Multi-colour
- F = Protection tube
- G = Plug-in terminal 2.0 mm x 0.5 mm

**Wiring diagrams:**

