

Actuator

17-090350

Distribution by
DigiKey

DigiKey



<https://digikey.eao.com/p/17-090350>

Your product:



17-090350 Actuator

FRONT

Front form:	round
Front dimension:	Ø 9,5 mm
Reflector:	Metal, polished chromium-plated, internal

MOUNTING

Design:	raised
Mounting cut-out:	Ø 8 mm

OPERATING-/INDICATION PART

Illumination colour:	Red
-----------------------------	-----

ELECTRICAL CHARACTERISTICS

Operation current:	9 mA ±15 %
Lumi. Intensity:	1200 mcd
Polarity:	Anode (+) Brass plug-in connector Cathode (-) Brass tinned plug-in connector
Operating voltage:	24 - 17,00 V AC/DC ±10 %

MECHANICAL CHARATERISTIC

Tightening torque:	Fixing nut max. 0.2 Nm
Weight:	0.005 kg
Terminal:	Plug-in terminal, 2.8 x 0.8 mm

AMBIENT CONDITION

Storage temperature: - 25 °C ... + 80 °C

IP Protection: IP40 front side, IP65 front side, according to IEC 60529

Operating temperature: - 20 °C ... + 60 °C

CERTIFICATE

Conformities: 2011 / 65 / EC (RoHS), 2014 / 35 / EU (230 VAC)

Approbations: UL

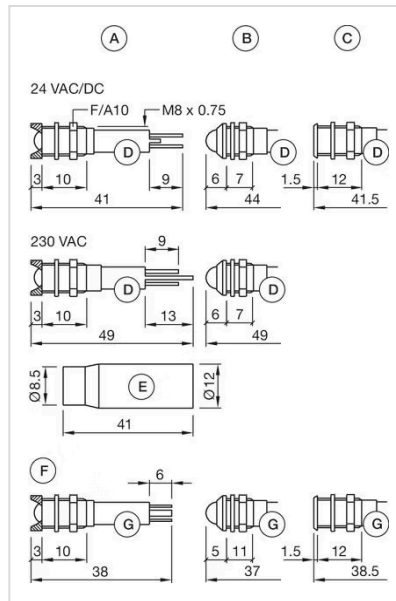
OTHER

Kind of illumination: Single-LED

Hints: Connectors: Brass terminal = anode (+); brass tinned terminal = cathode (-), IP67 front side gap between LED and reflector and gap between reflector and frontplate sealed to IP67 when using the supplied gasket., The plastic is limited resistant to chemicals.

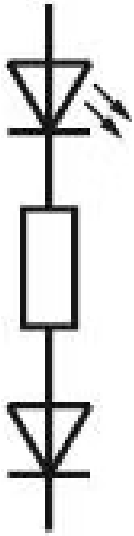
Short Description: Actuator, Ø 8 mm, Ø 9,5 mm, round, Plug-in terminal, 2.8 x 0.8 mm, Red

Dimension drawings:



Wiring diagrams:

x2+



x1-

Mounting cut-outs:

