

Indicator

17-080350

Distribution by
DigiKey

DigiKey



<https://digikey.eao.com/p/17-080350>

Your product:



17-080350 Indicator

FRONT

Front form:	round
Front dimension:	Ø 9,5 mm
Reflector:	Metal, polished chromium-plated, domed

MOUNTING

Mounting type:	Panel mounting
Design:	raised
Mounting cut-out:	Ø 8 mm

OPERATING-/INDICATION PART

Illumination colour:	Red
-----------------------------	-----

ELECTRICAL CHARACTERISTICS

Polarity:	Anode (+) Brass plug-in connector Cathode (-) Brass tinned plug-in connector
Operation current:	9 - 17 mA ±15 %
Operating voltage:	24 V AC/DC ±10 %
Lumi. Intensity:	1200 mcd

MECHANICAL CHARATERISTIC

Tightening torque: Fixing nut max. 0.2 Nm
Weight: 0.005 kg
Terminal: Plug-in terminal, 2.8 x 0.8 mm

AMBIENT CONDITION

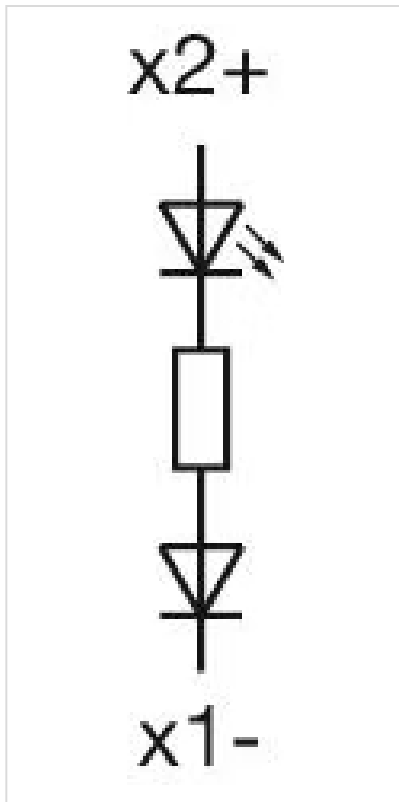
Storage temperature: – 25 °C ... + 80 °C
Operating temperature: – 20 °C ... + 60 °C
IP Protection: IP40 front side, IP65 front side, according to IEC 60529

CERTIFICATE

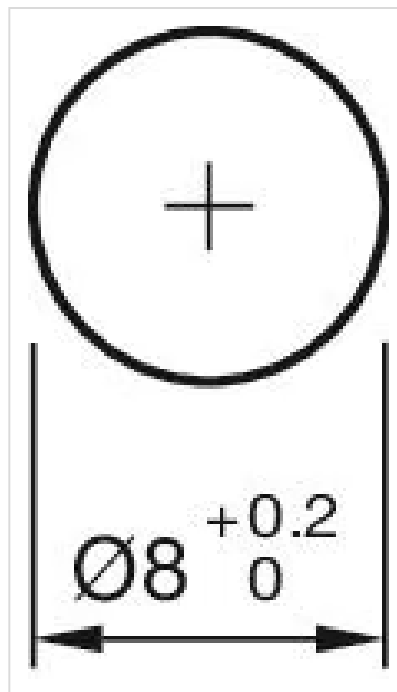
Conformities: 2011 / 65 / EC (RoHS), 2014 / 35 / EU (230 VAC)
Approbations: UL
RoHS: RoHS compliant
REACH: REACH compliant

OTHER

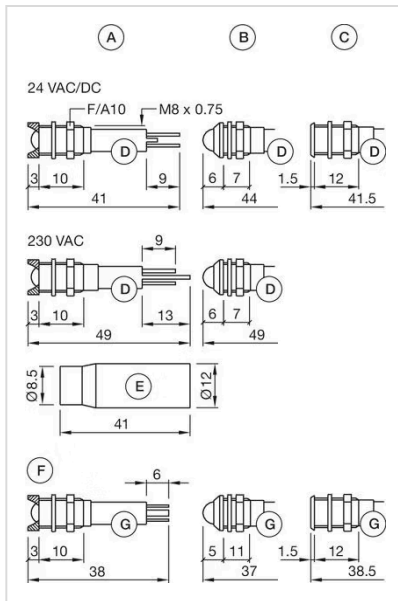
Kind of illumination: Single-LED
Hints: Connectors: Brass terminal = anode (+); brass tinned terminal = cathode (-), IP67 front side gap between LED and reflector and gap between reflector and frontplate sealed to IP67 when using the supplied gasket., The plastic is limited resistant to chemicals.
Short Description: Indicator, Ø 8 mm, Ø 9,5 mm, round, Plug-in terminal, 2.8 x 0.8 mm, Red
Wiring diagrams:



Mounting cut-outs:



Dimension drawings:



- A = interior
- B = exterior
- C = superflat
- D = Plug-in terminal 2.8 mm x 0.8 mm
- E = Multi-colour
- F = Protection tube
- G = Plug-in terminal 2.0 mm x 0.5 mm